



MINI TERMO



U_d VALUE
(W/m² * K)



**PROTECTIVE
FEET**



SEAL



**PROTECTIVE
FEET**



**YEARS
GUARANTEE**



The mark of
responsible forestry



OMAN[®]

CLASSIC

EI

MINI

FLEX

SOLID

LONG

MINI TERMO

26 mm

The MINI TERMO loft ladder has got single sealing and hatch thickness 26mm. MINI TERMO model is ideally suited to conditions where the attic is insulated and does not require additional thermal insulation. The MINI TERMO stair model, thanks to its small dimensions, is perfect for installation in narrow and small corridors. The little size of the stairs were achieved thanks to using the unique 4 section metal-wood ladder. This ladder is equipped with non-slip feet, which perfectly adhere to the ground and prevent scratches on the floor surface. Our non-slip feet included in MINI TERMO loft ladder provide an aesthetic finish for the ladder after cutting. The excellent quality of materials used for the production of stairs and attention to every details of finish cause that the stairs will satisfy even the most demanding customers. The maximum load during use is up to 160 kg.

Technical specification

Insulated hatch thickness	26 mm
Thickness of thermal insulation	20 mm
Hatch colour from both sides	White
Metal - Wooden ladder	4 sections
Height of wooden box	135 mm
Width of ladder	365 mm
Width of step	324 mm
Depth of step	80 mm
Landing space	101/135 cm
Opening distance/angle	115/125/126 cm
Maximum ceiling height	260/265 cm

Box dimensions [cm] AxB

80x60 90x60 100x60
80x70 90x70 100x70

Outer box dimensions, mounting opening 2 cm larger

Non-standard dimensions

Min - Max Length 80 - 100 cm
Min - Max Width 60 - 85 cm

*Unusual dimensions available in full size of untypical stairs can not exceed 1 m²

Accessories



Masking batten

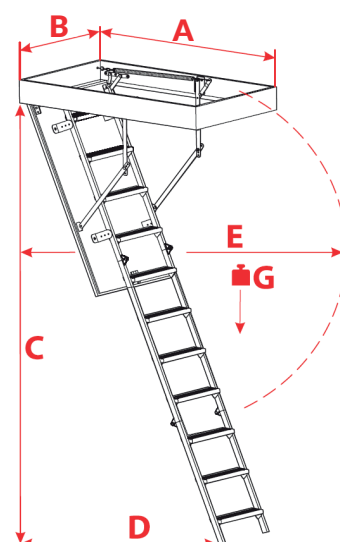


Mounting system



Hatch balustrade

Technical draw



A < 90

C 260 cm

D 101 cm

E 115 cm

G 160 kg

A > 90

C 265 cm

D 135 cm

E 125/126 cm

G 160 kg