

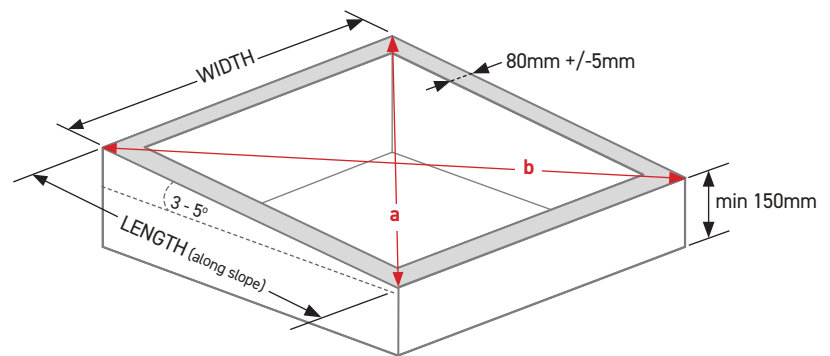
Korniche Flat Glass™ surveying guide

Upstand position cross section

- ▀ 3 to 5° degree pitch
- ▀ Upstand width 75 - 85mm
- ▀ Upstand min 150mm
- ▀ To ensure the upstand is square **a & b** should be equal with a tolerance of +/-4

*Maximum area is limited to 3m²

- ▀ **A:** Trim (supplied)
- ▀ **B:** Plasterboard
- ▀ **C:** Indicative structure (by others)
- ▀ **D:** Waterproof membrane



Recommended upstand detail (not supplied)

