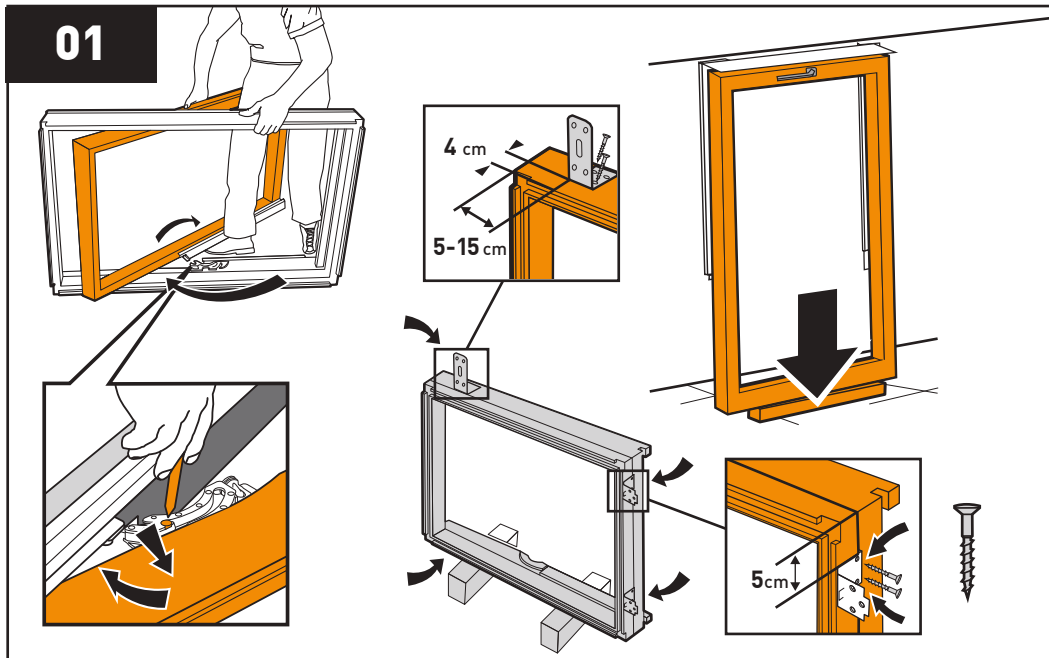
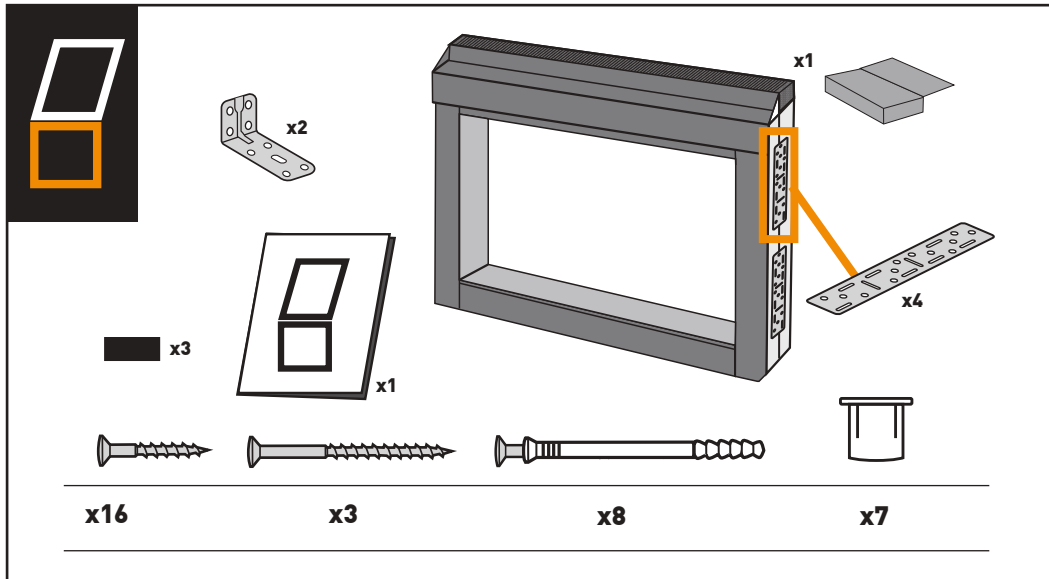
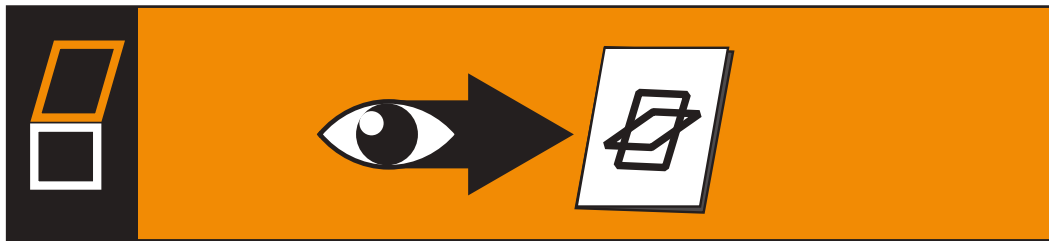


# VERTICA ENERGY

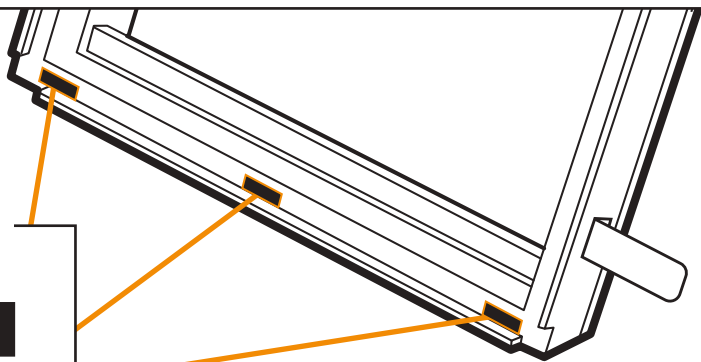


Roof windows for **smart professionals**

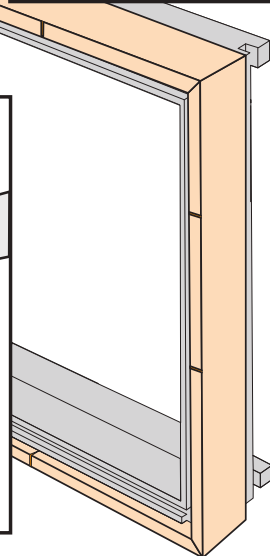
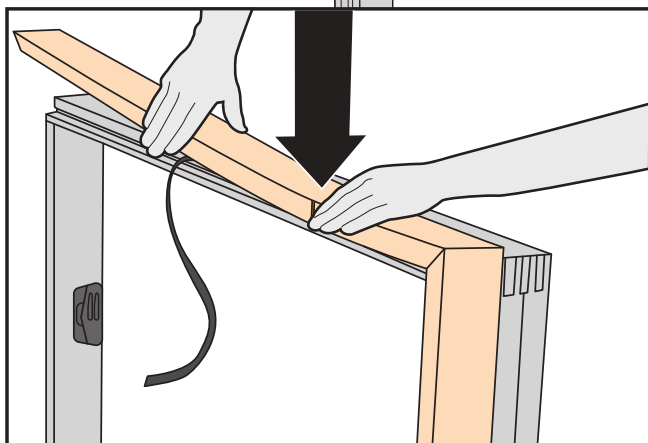
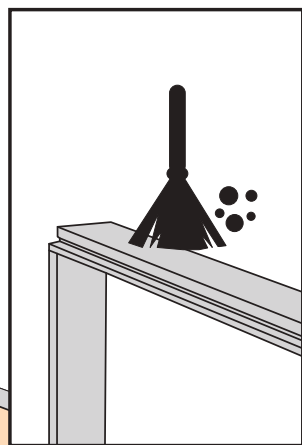



02

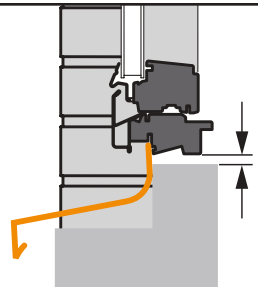
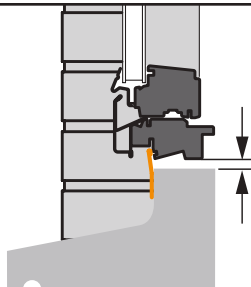
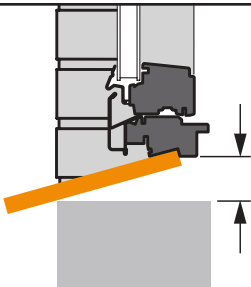
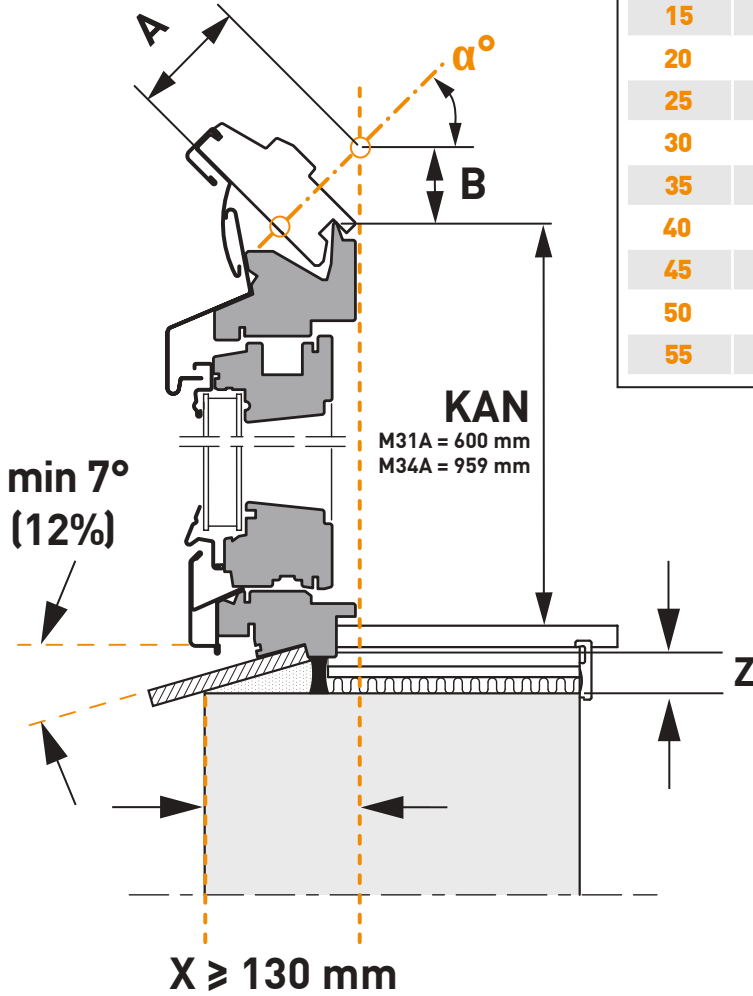
x3



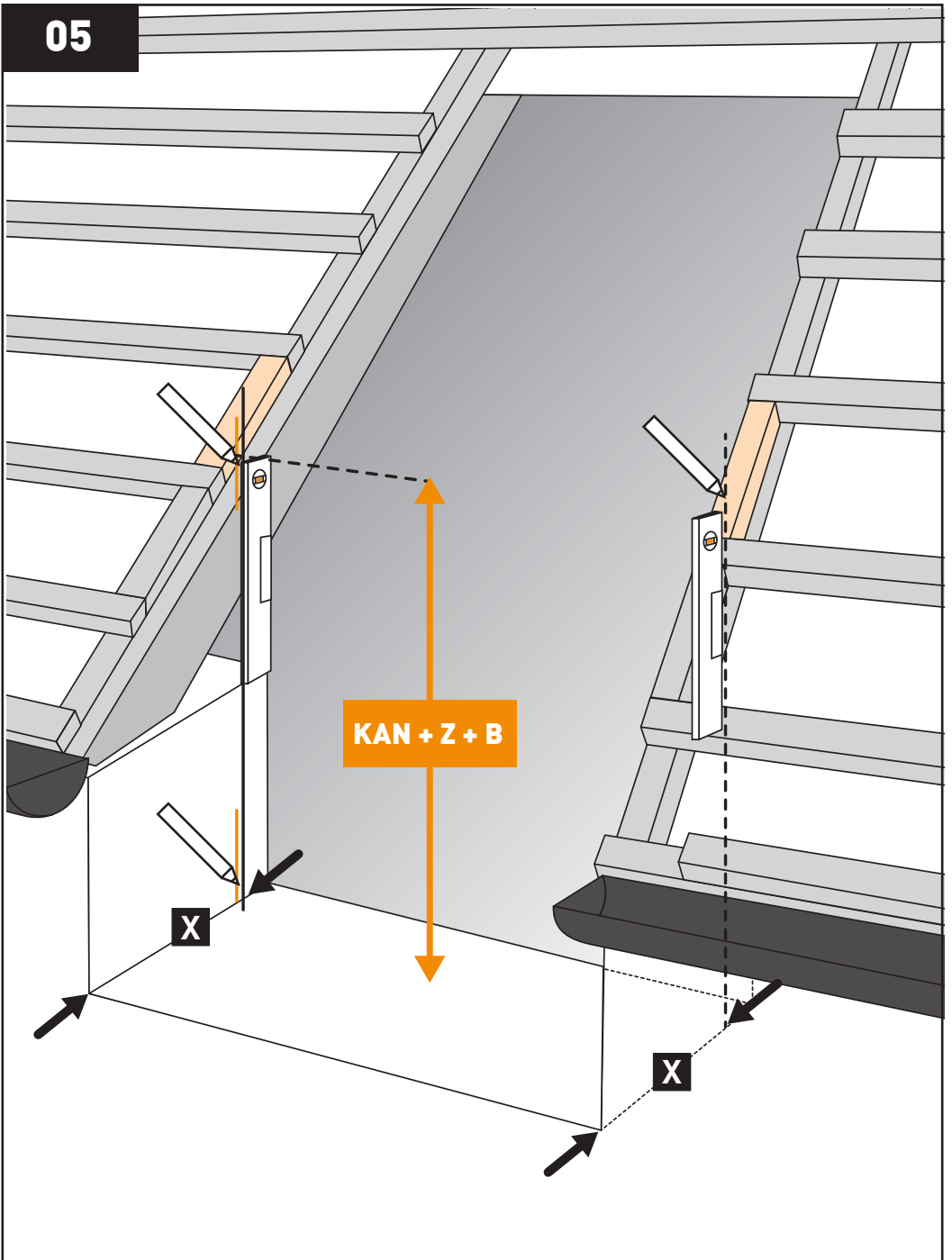
03



	A (mm)	B (mm)
15	45	35
20	50	35
25	55	40
30	60	40
35	65	45
40	70	50
45	75	55
50	85	65
55	95	70



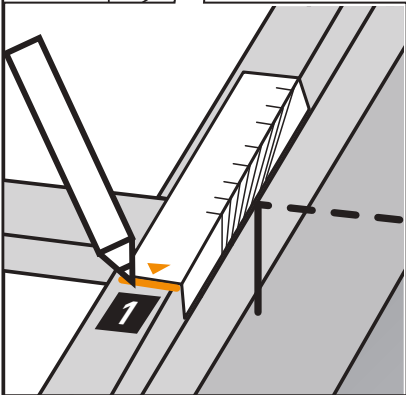
05



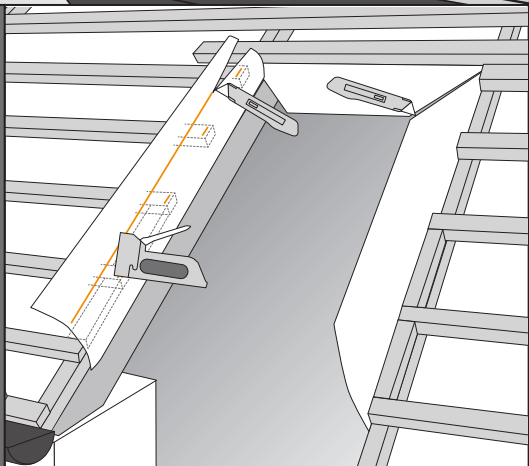
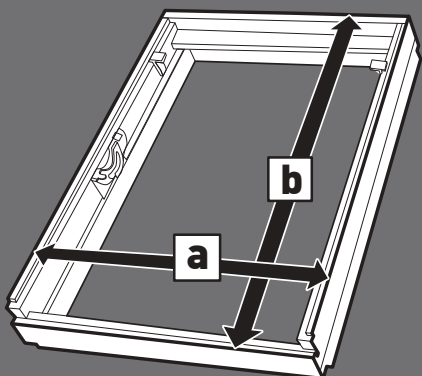
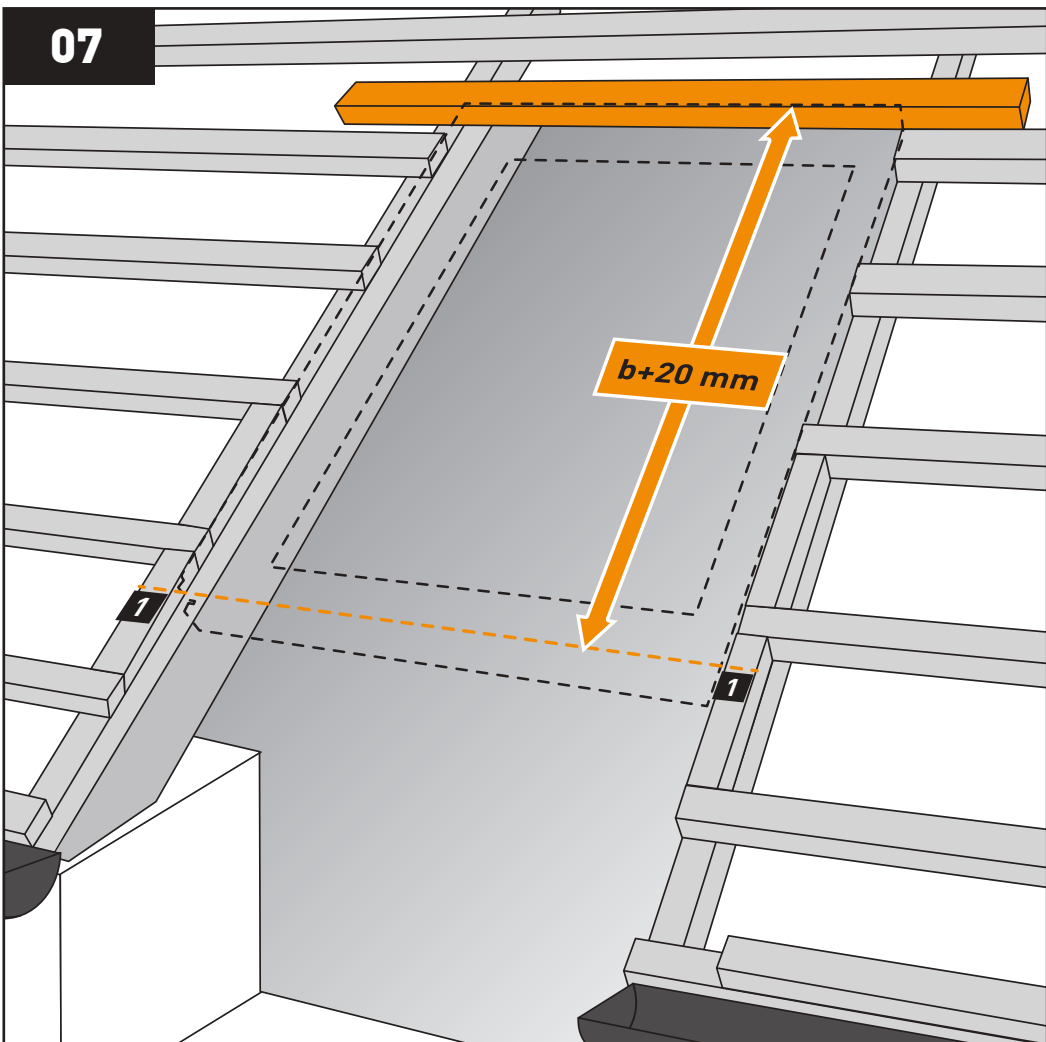
$X \geq 130 \text{ mm}$

06

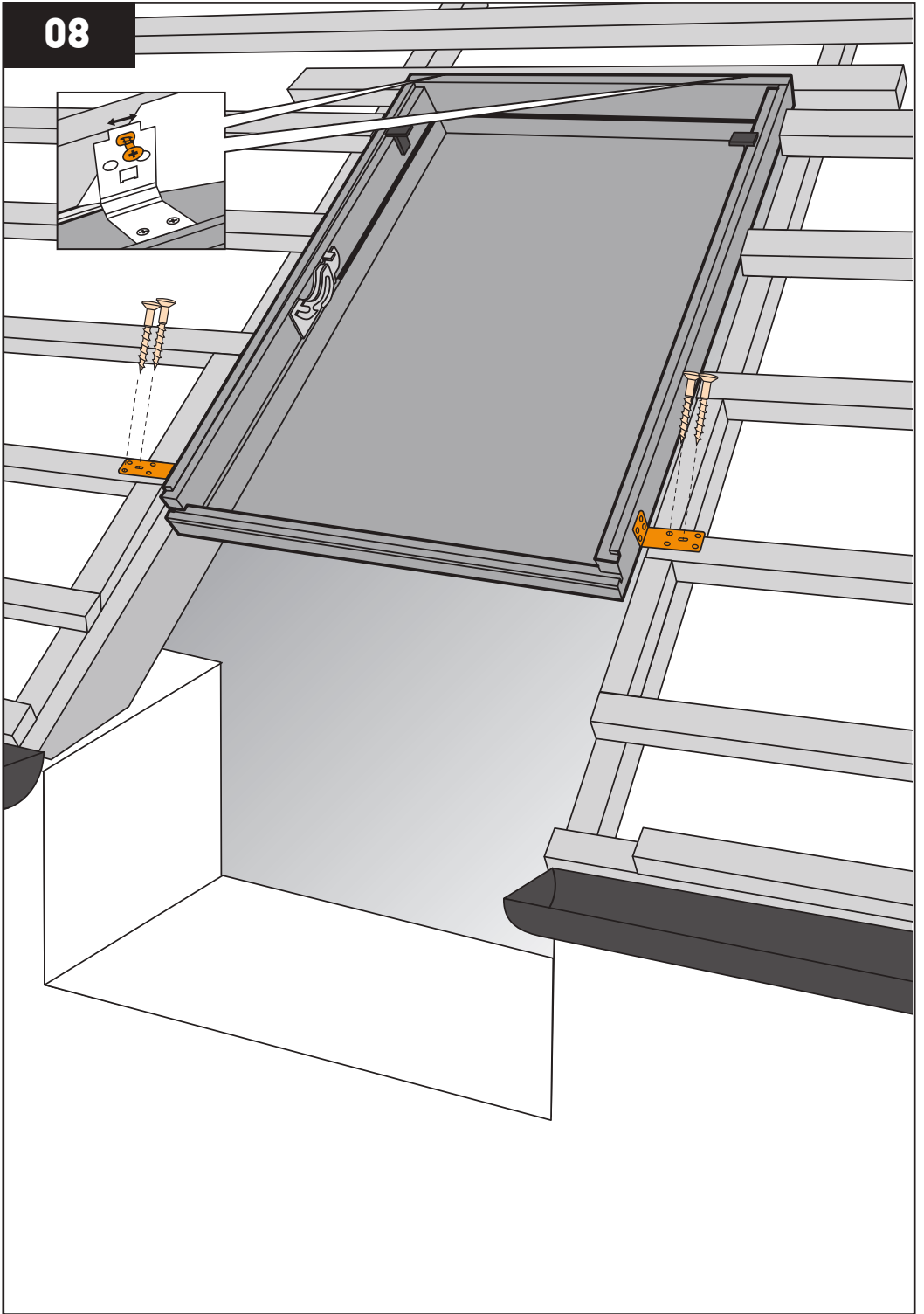
$KAN + Z + B$



07

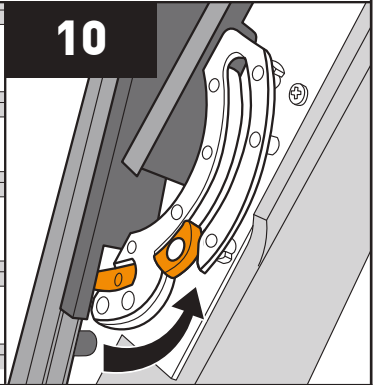
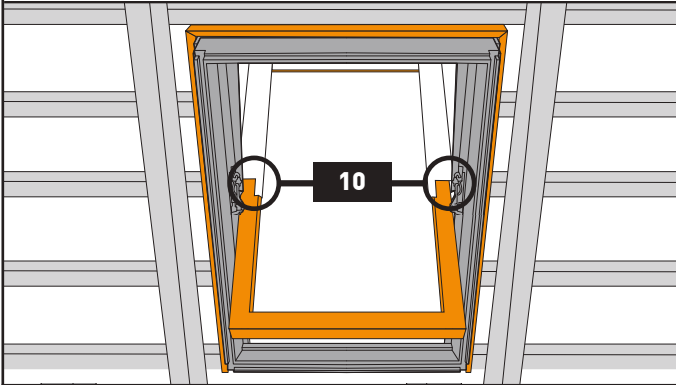
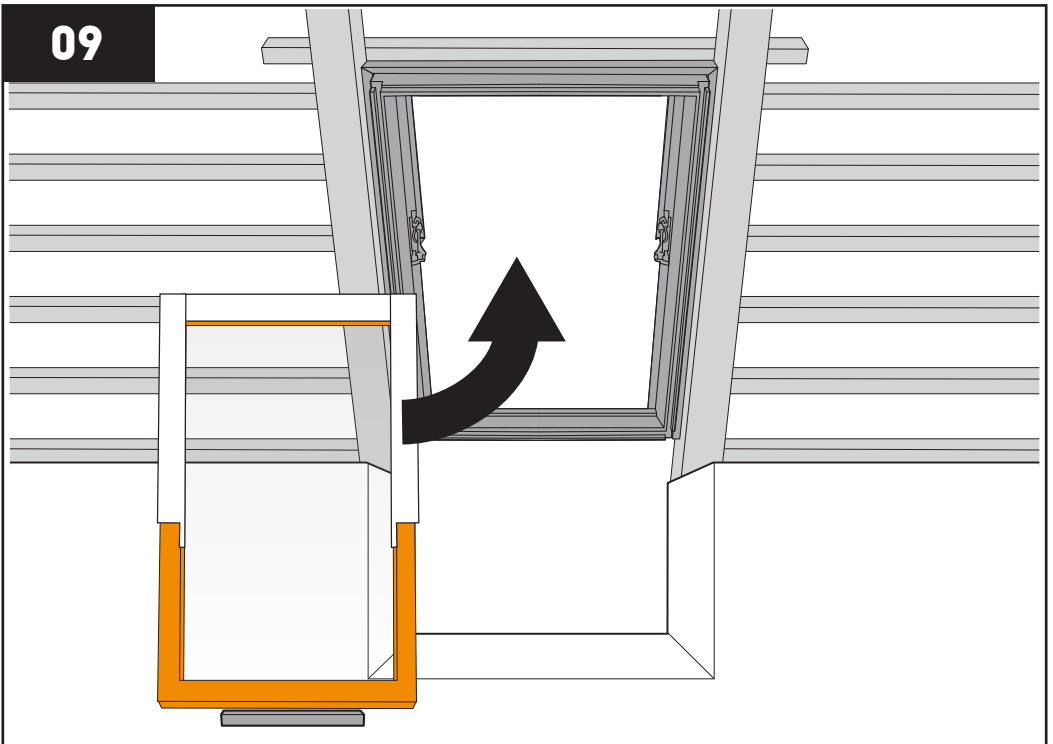


08

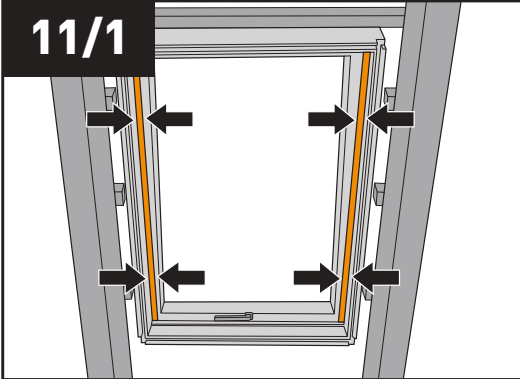




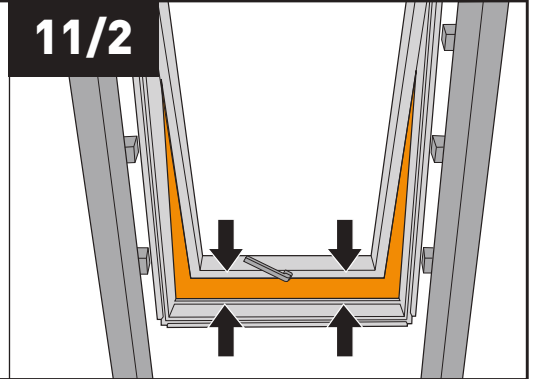
09



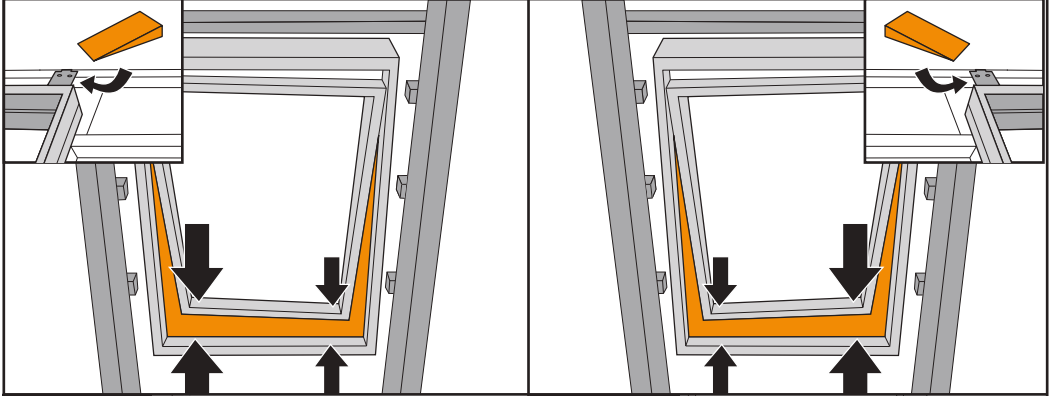
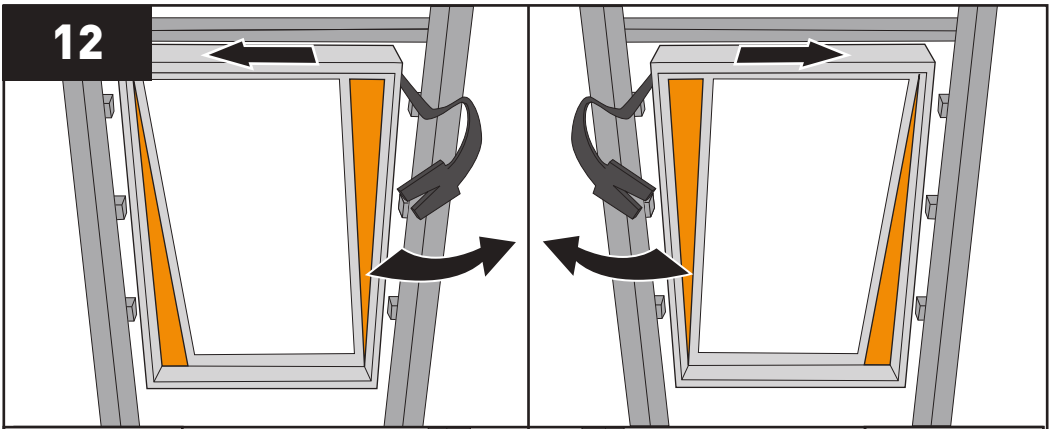
11/1



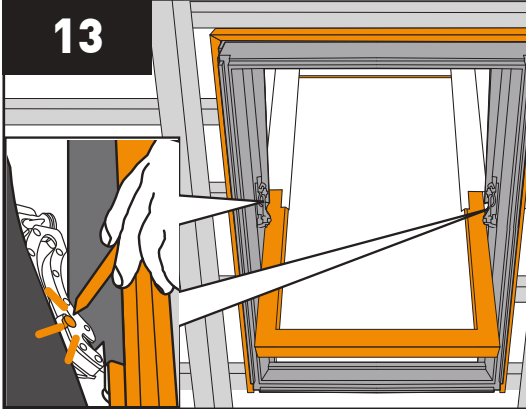
11/2



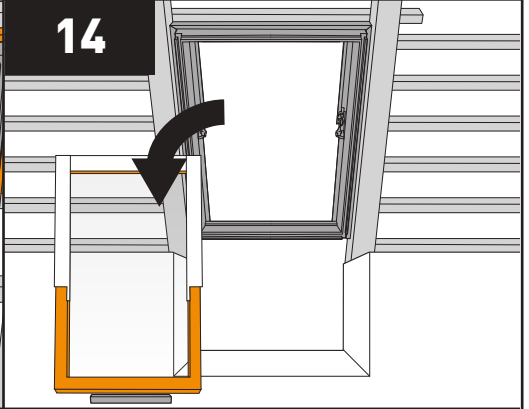
12



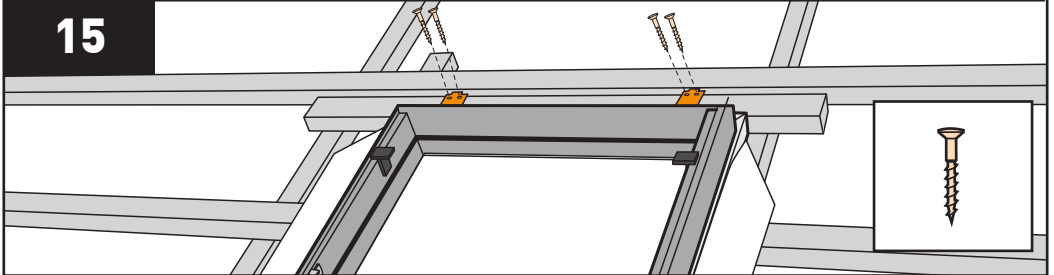
13



14



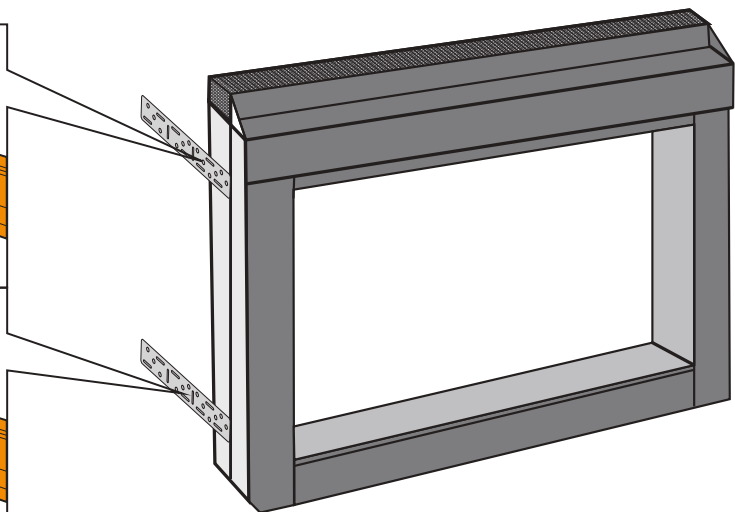
15



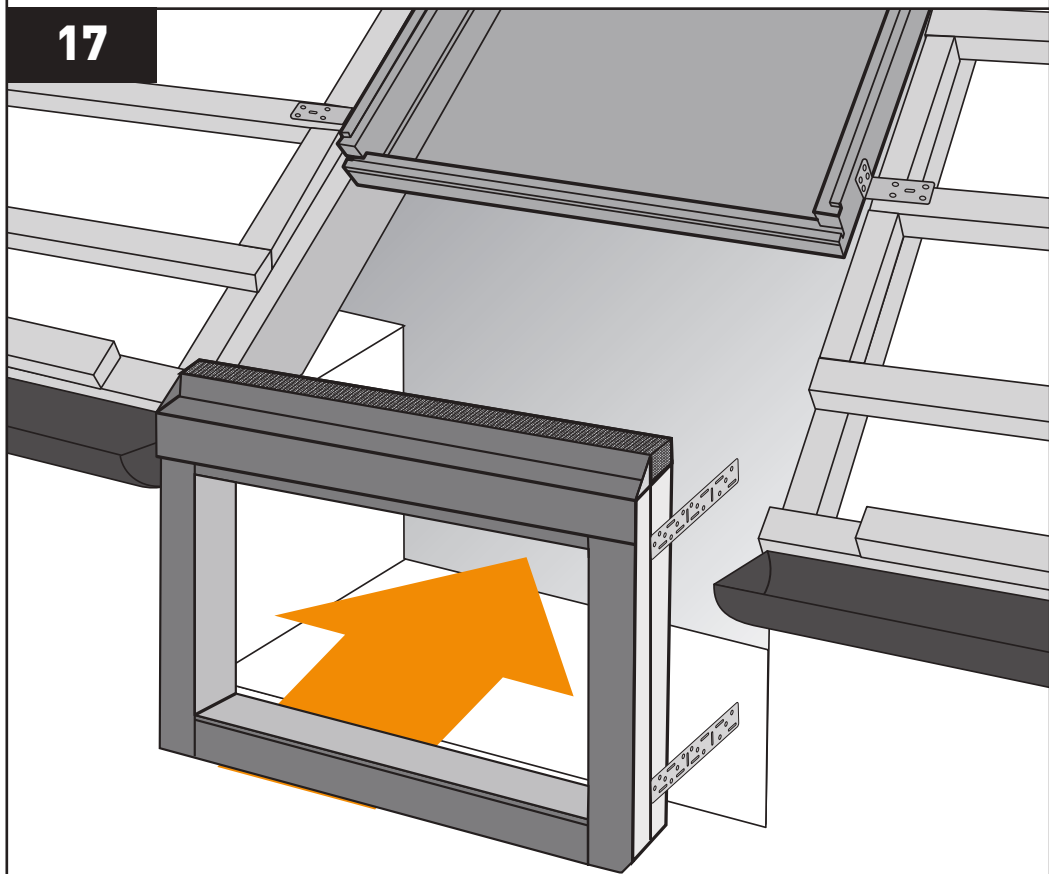
16

6 cm

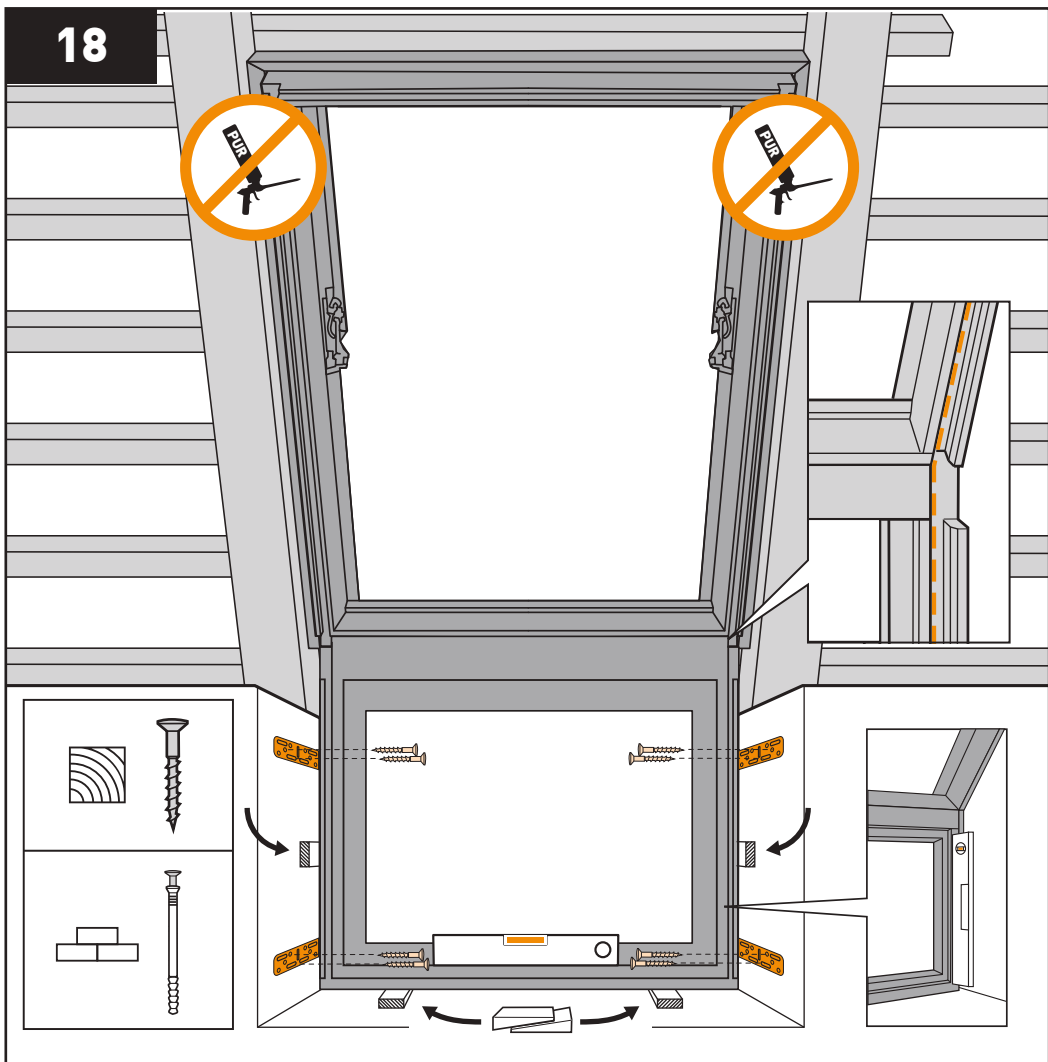
6 cm



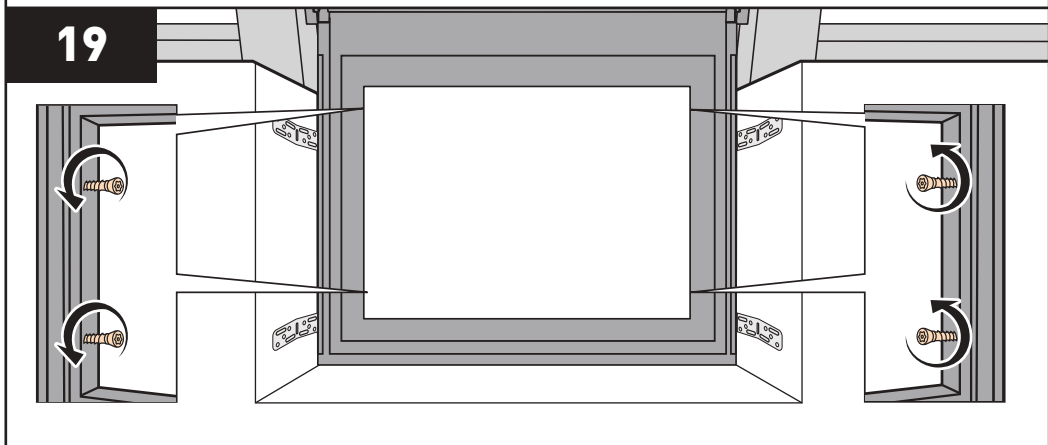
17



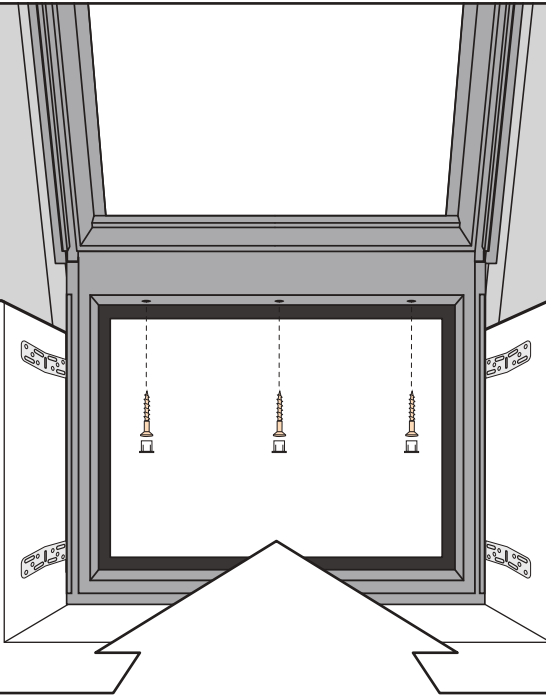
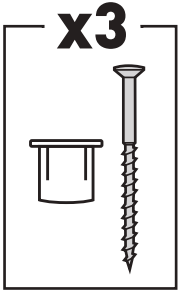
18



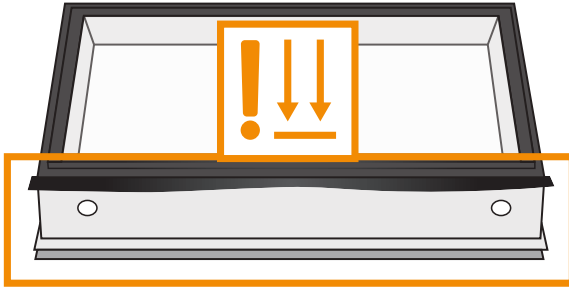
19



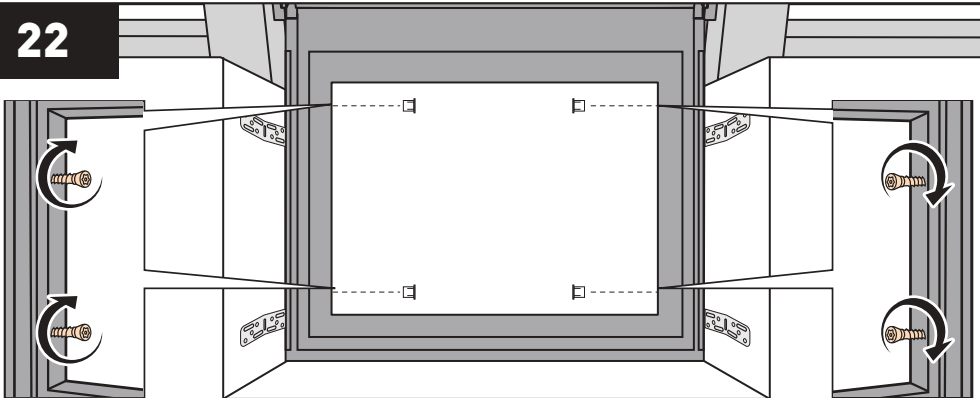
20



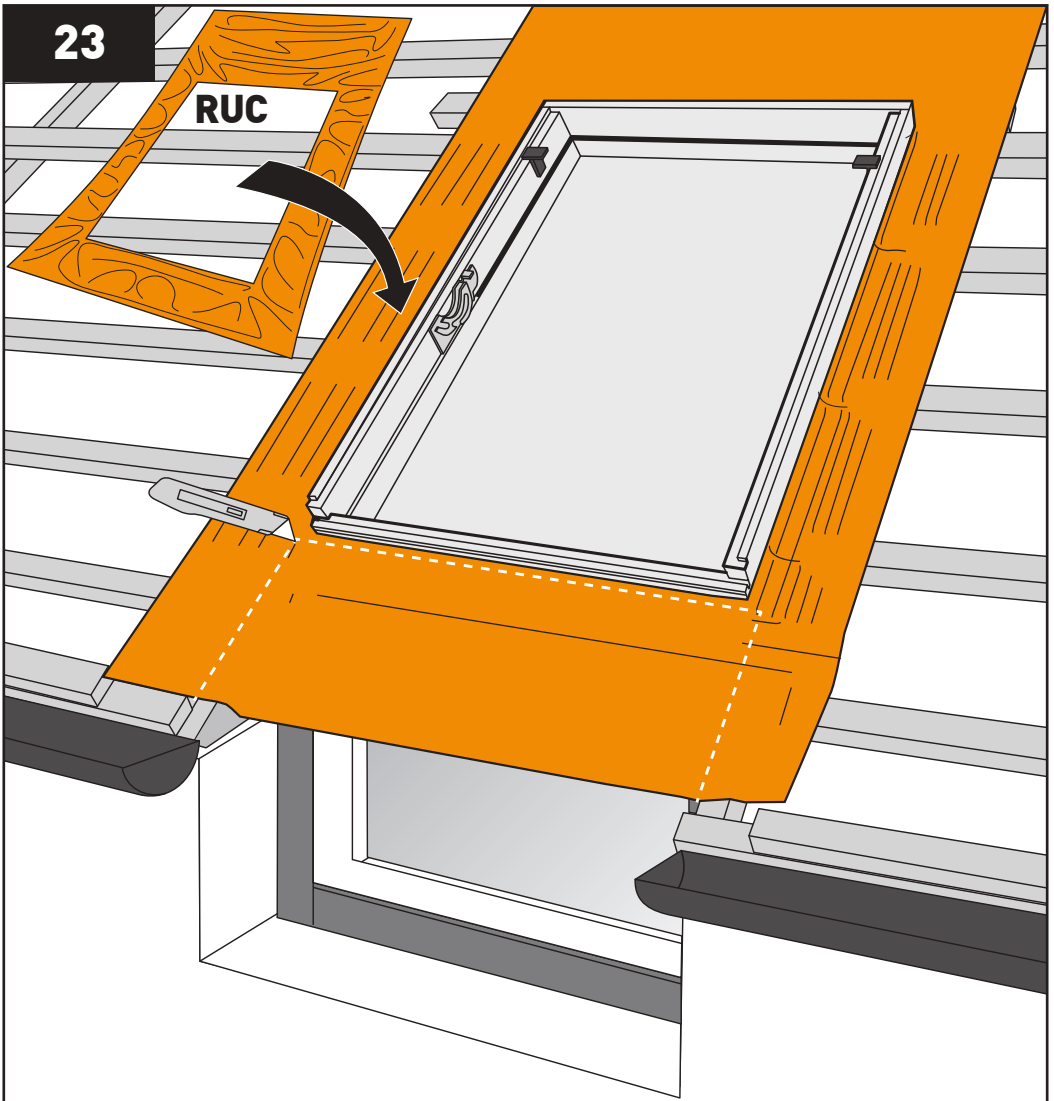
21



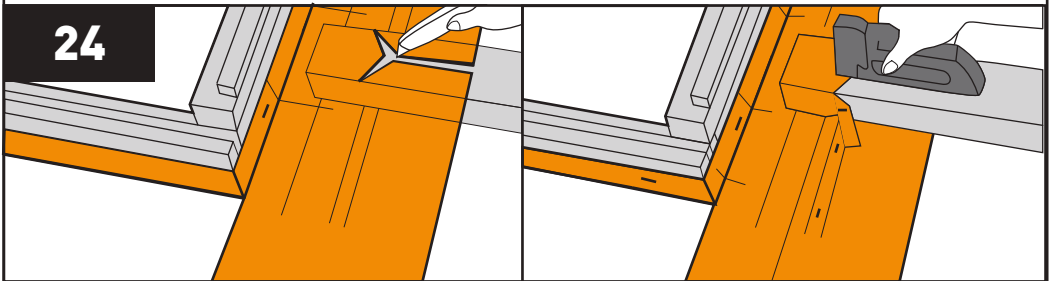
22



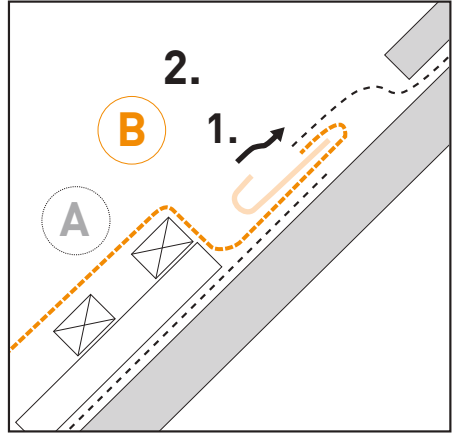
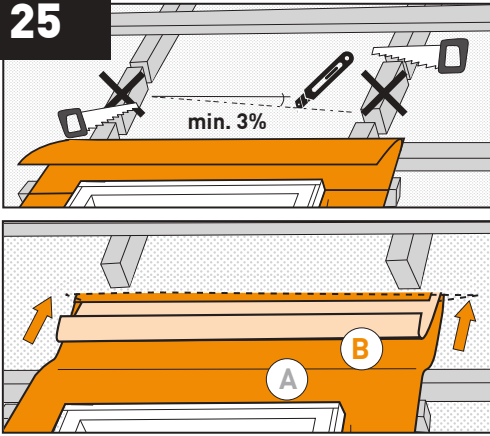
23



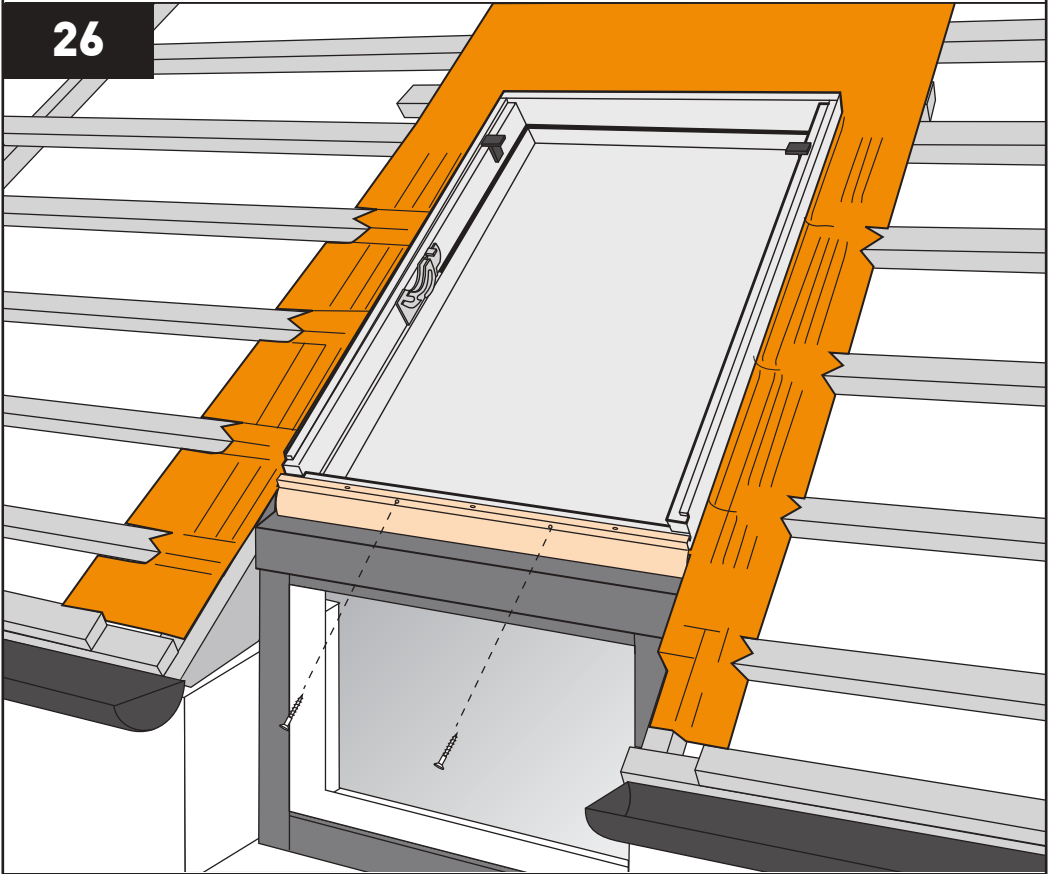
24



25



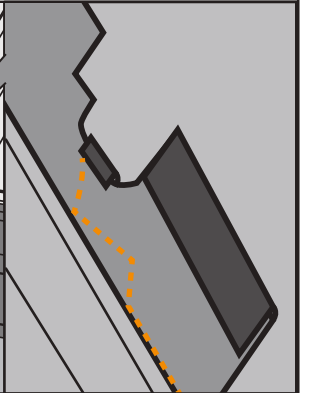
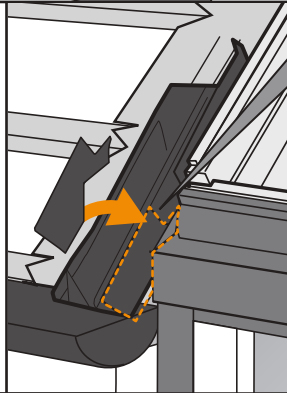
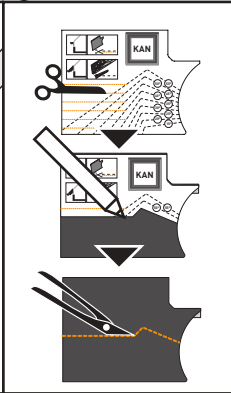
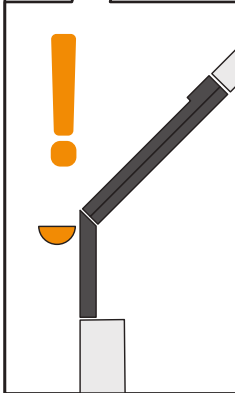
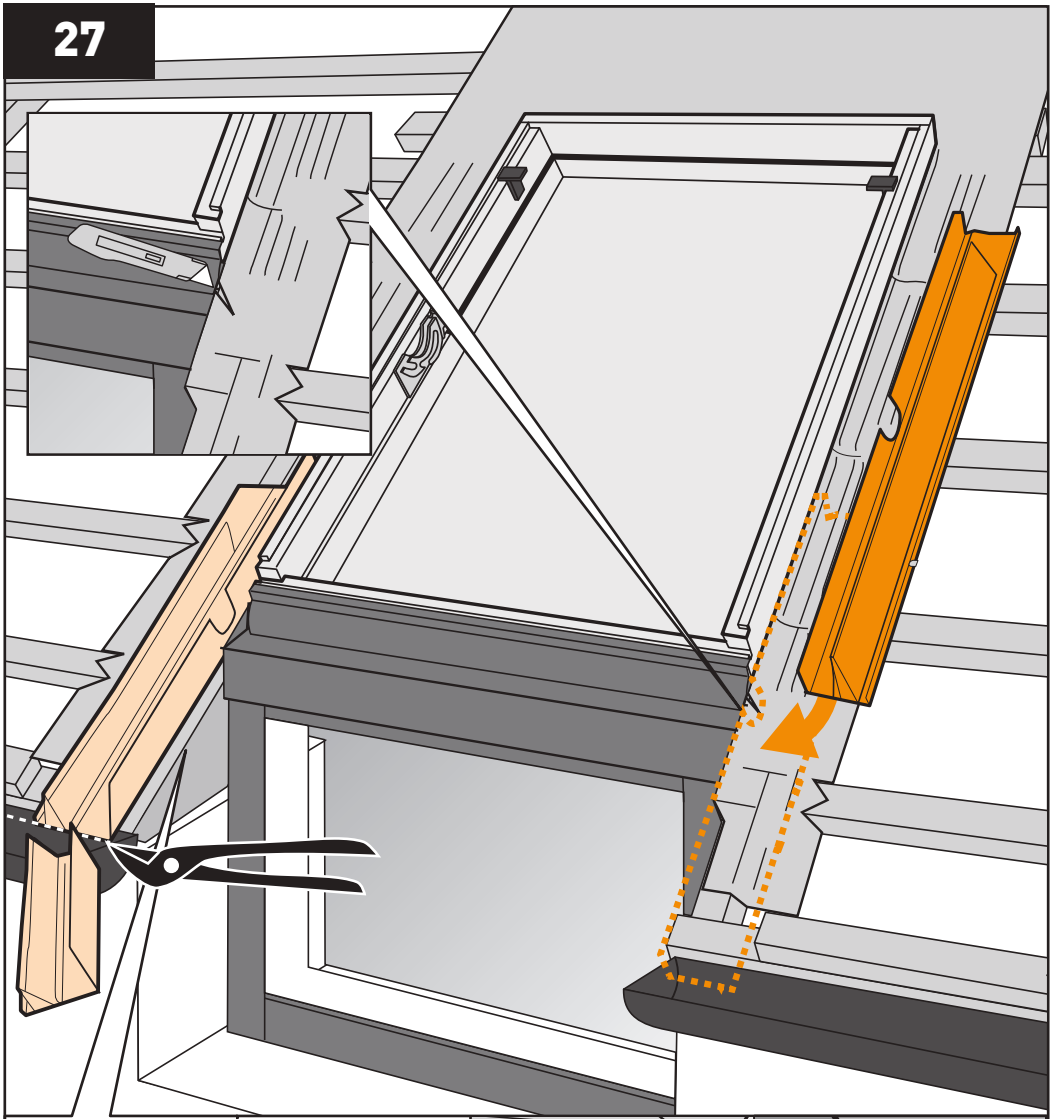
26



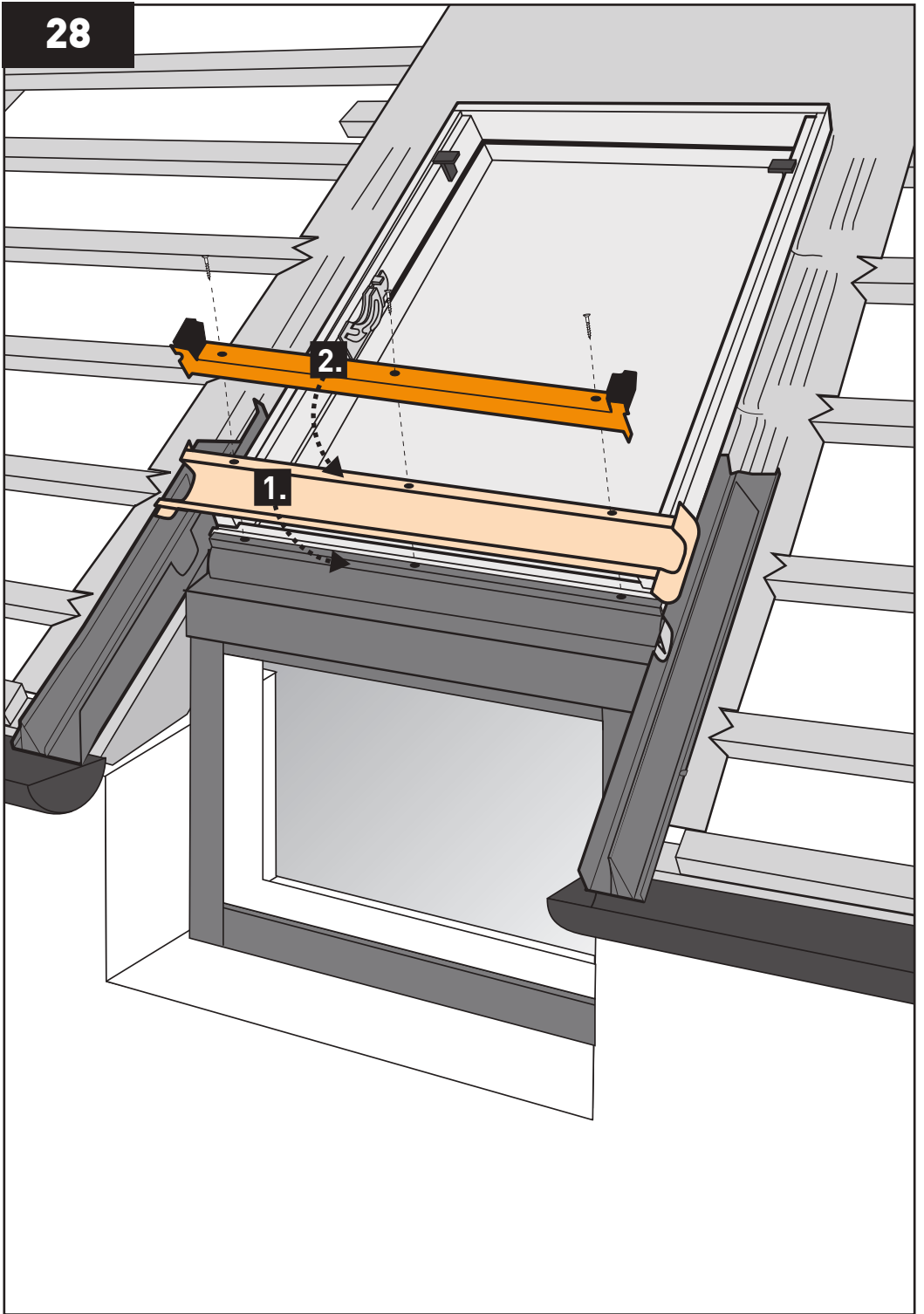
KUN

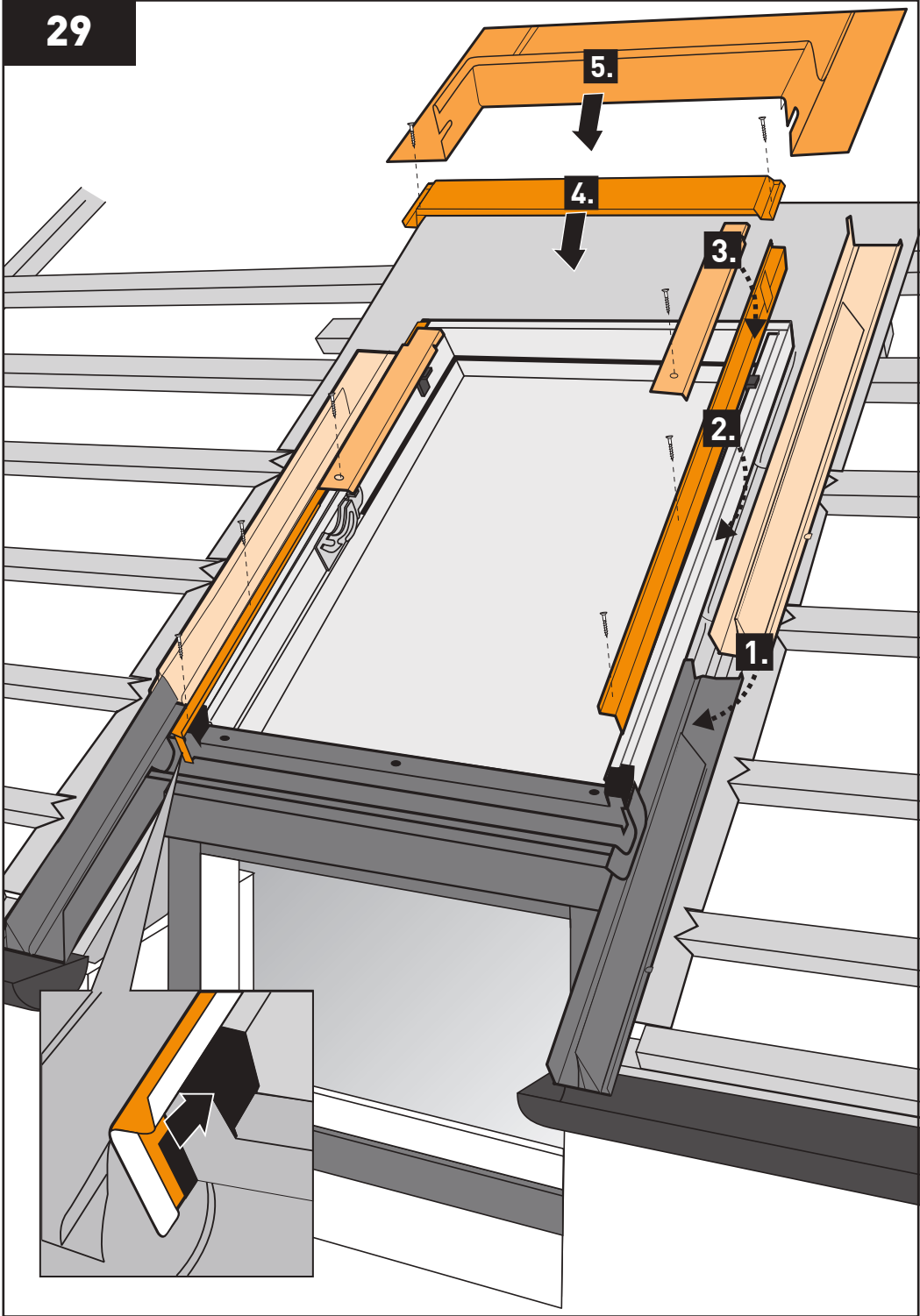


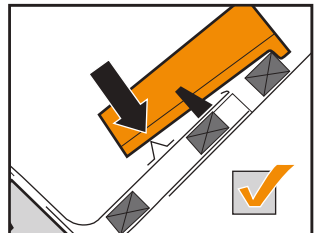
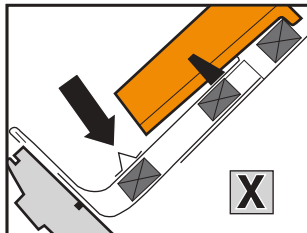
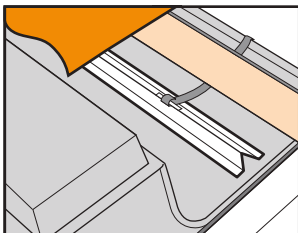
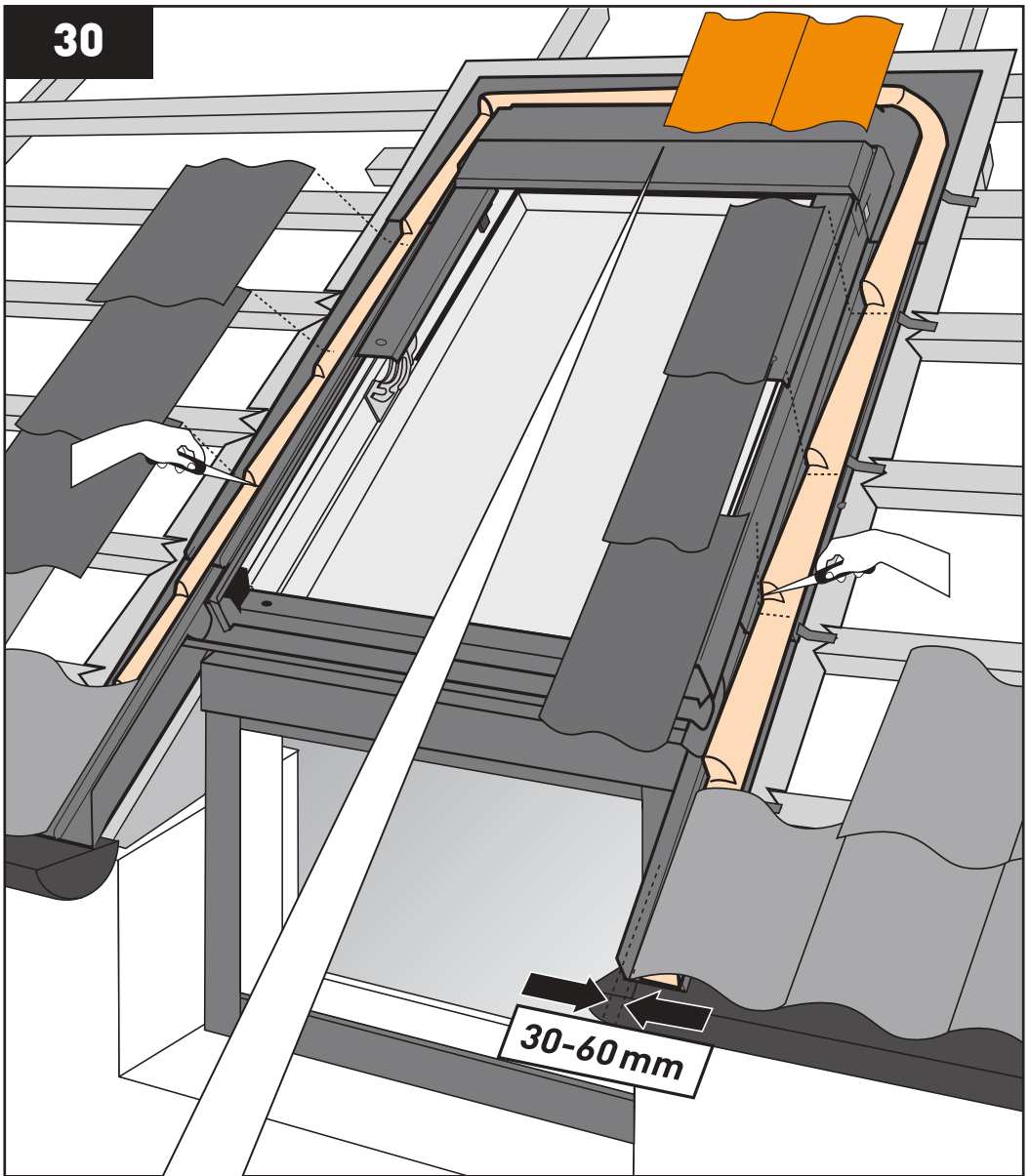
KSN

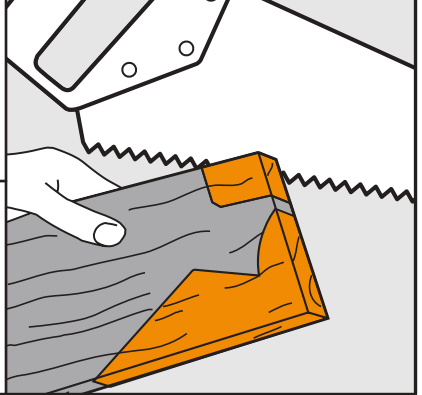
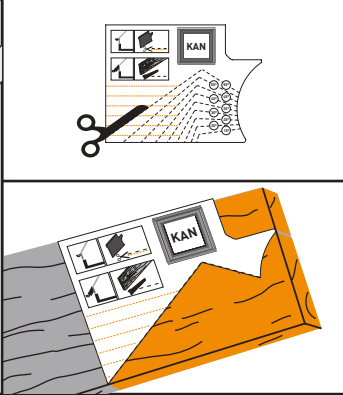
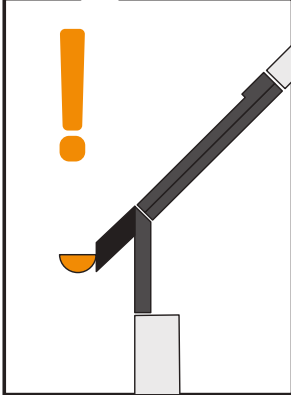
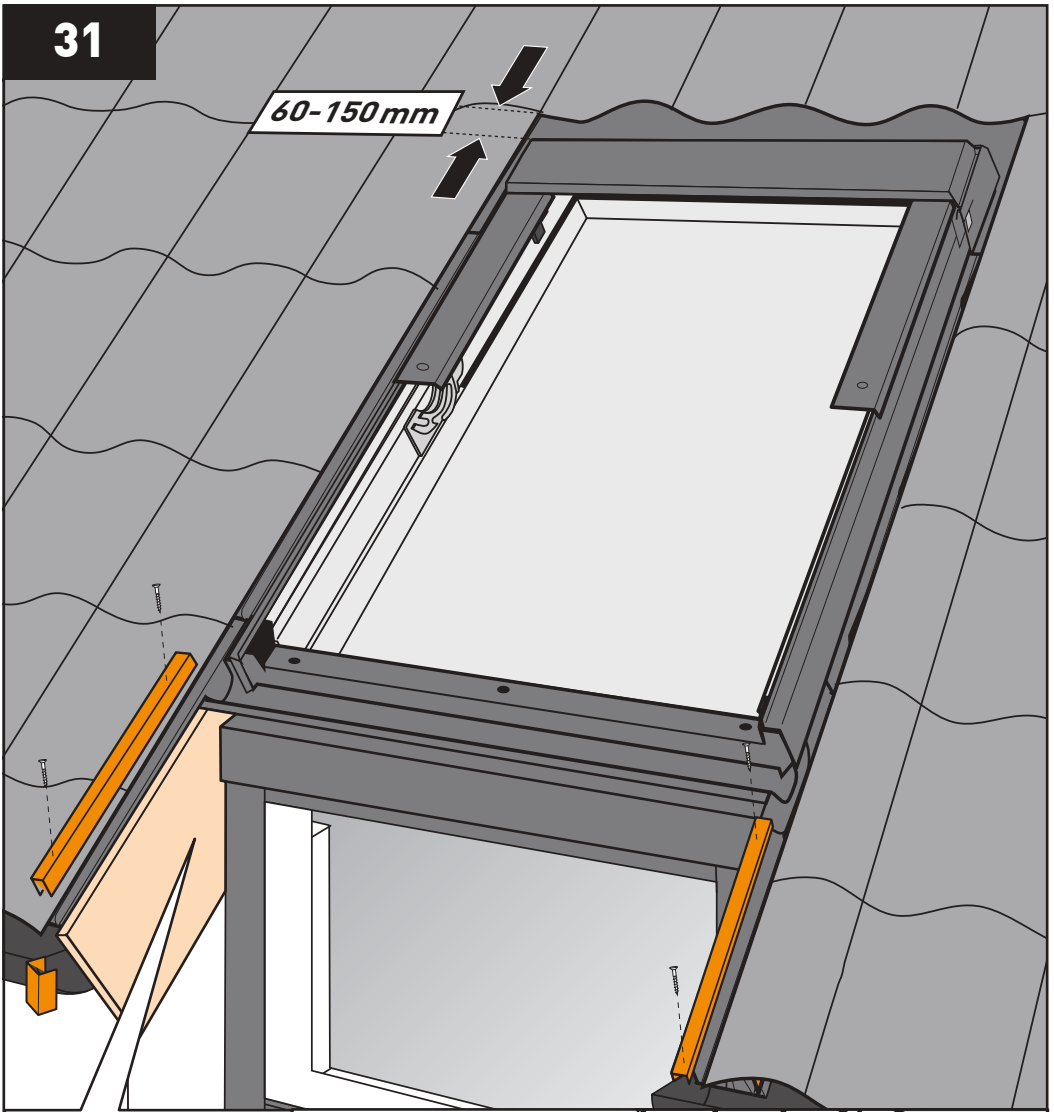


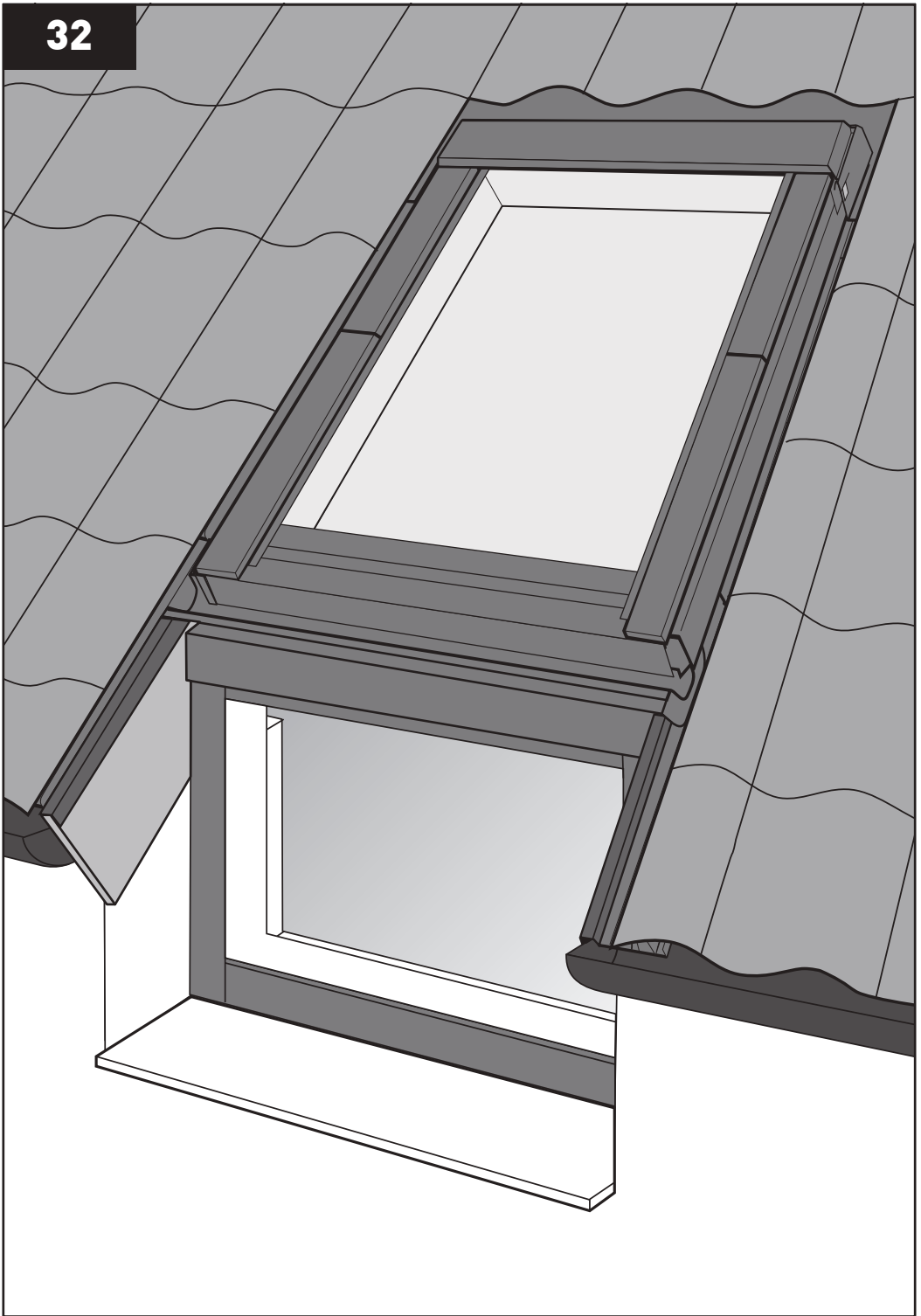


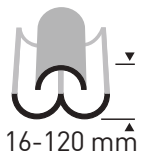
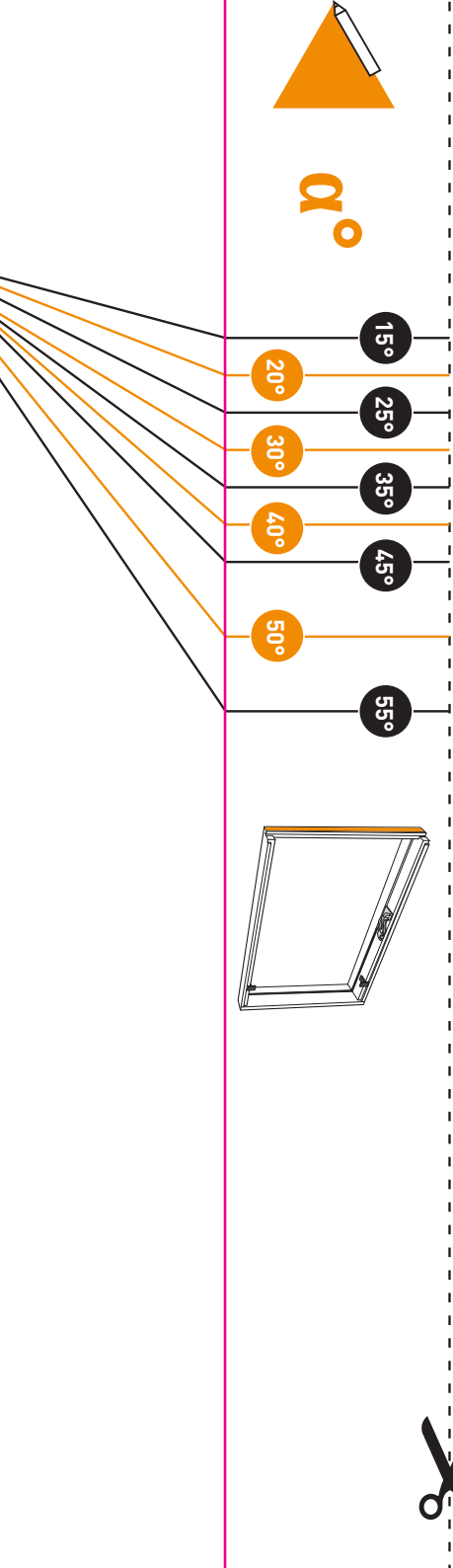




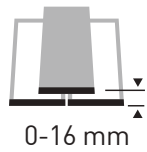






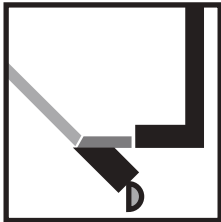
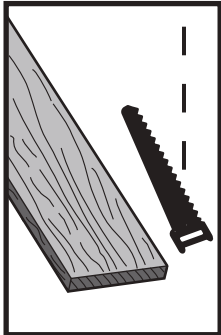
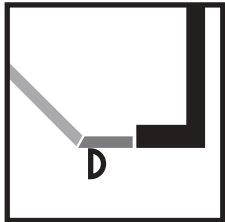
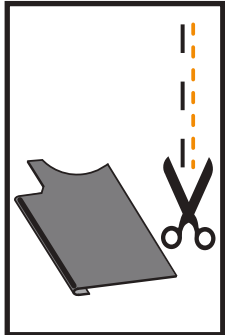


**KUN**  
15-55°

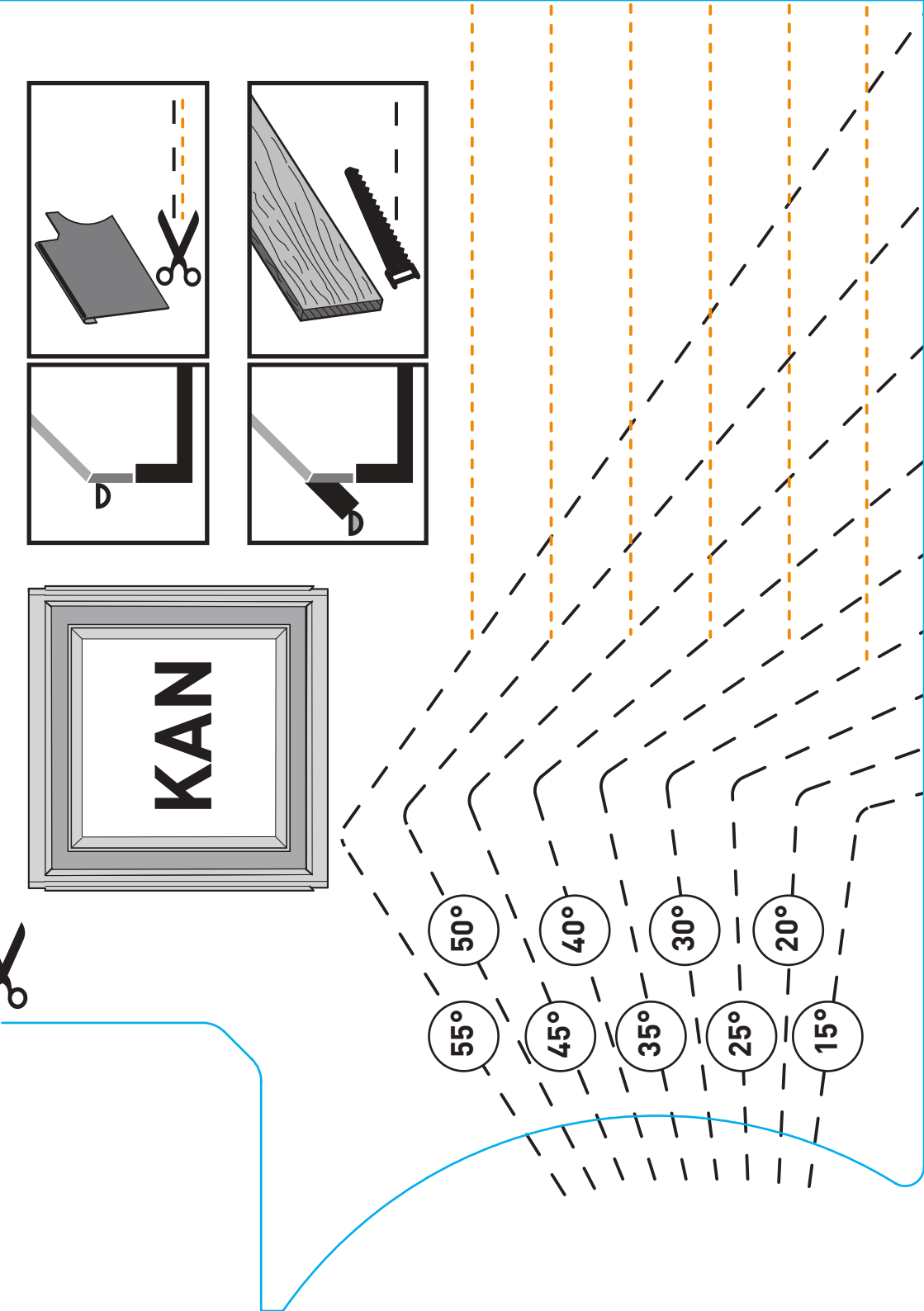


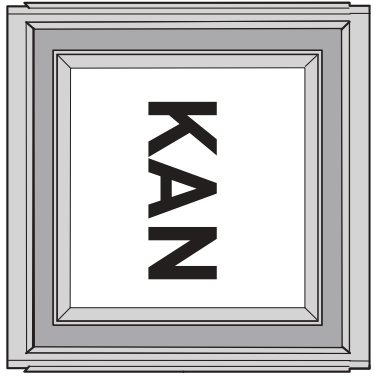
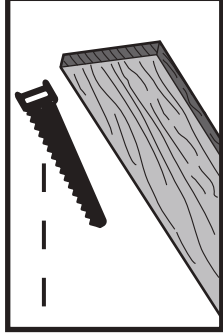
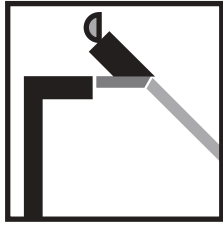
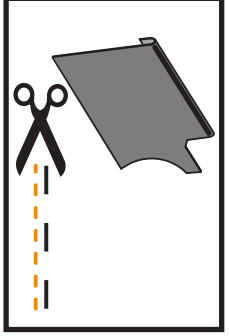
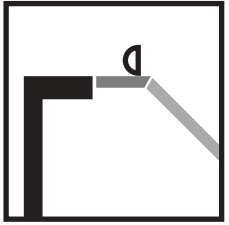
**KSN**  
15-55°





- 50°
- 40°
- 30°
- 20°
- 55°
- 45°
- 35°
- 25°
- 15°





55°

45°

35°

25°

15°

50°

40°

30°

20°

