

VISION ENERGY

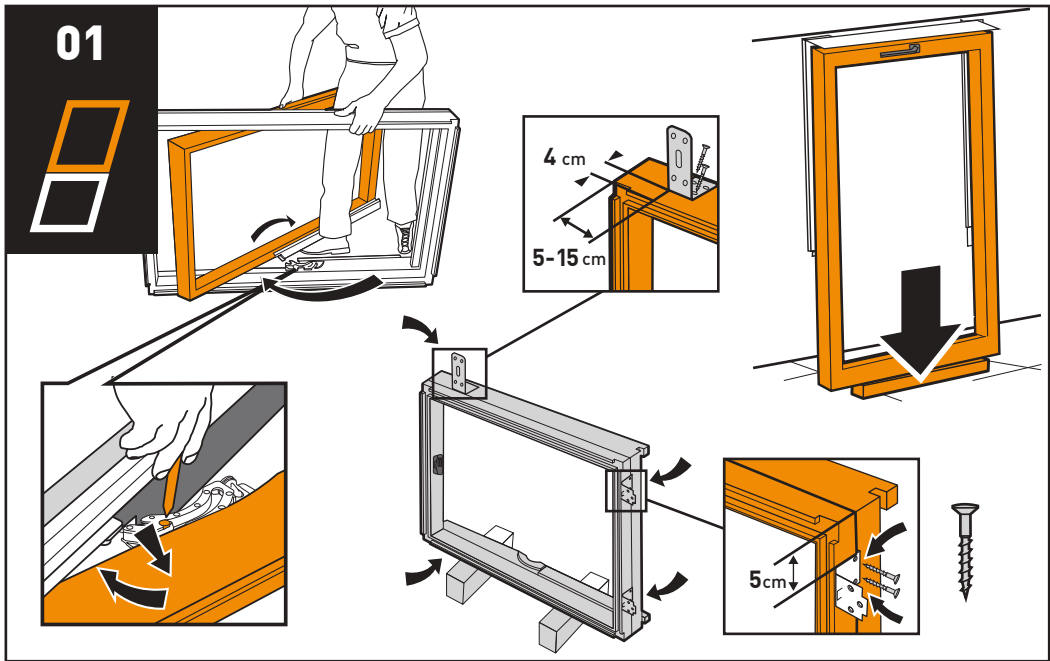
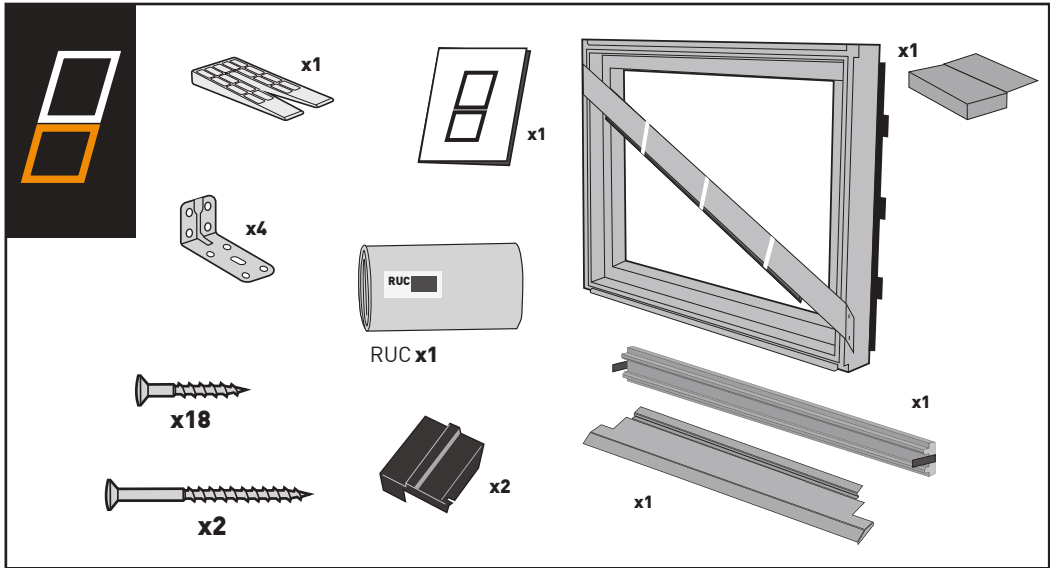
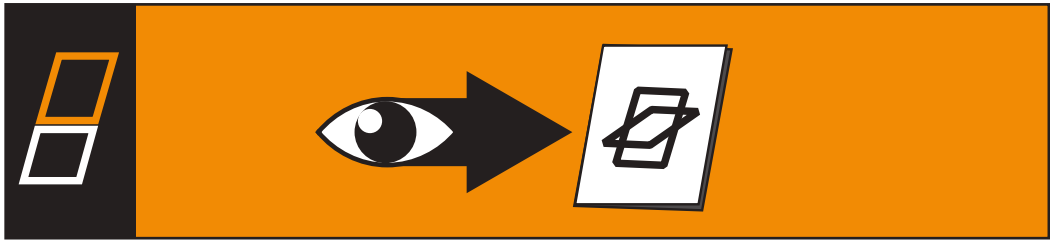


Roof windows for **smart professionals**

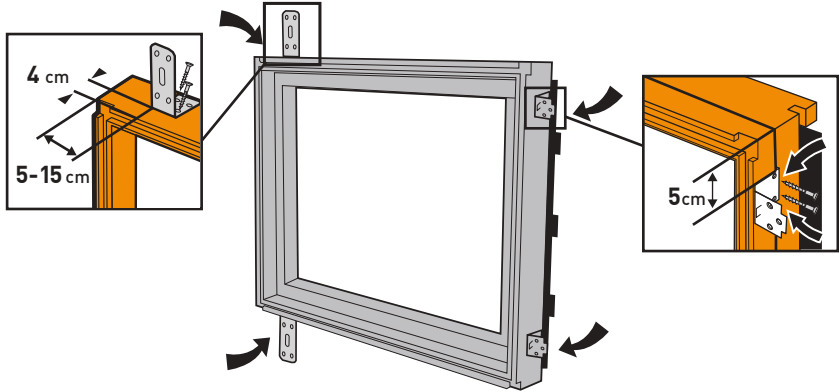
INS-DAK-KAI_400097



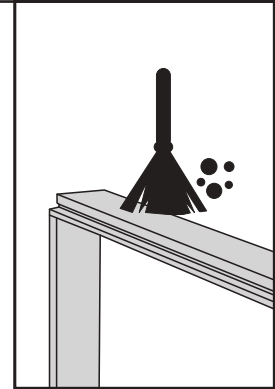
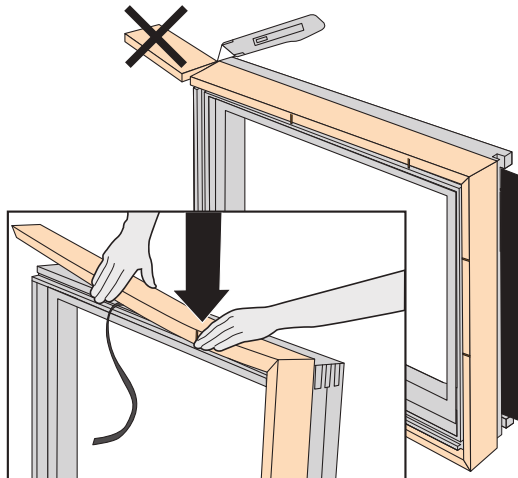
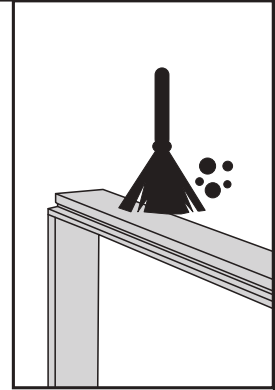
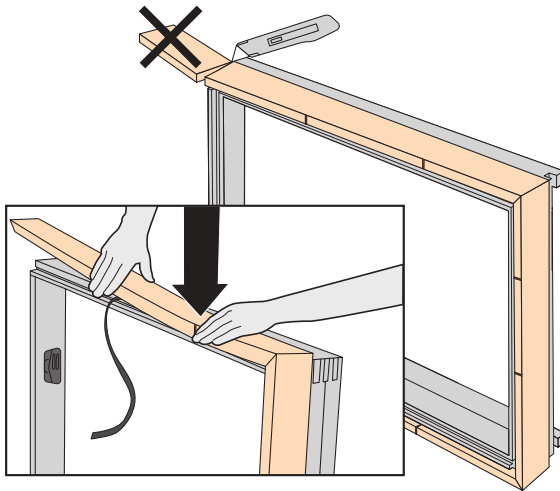




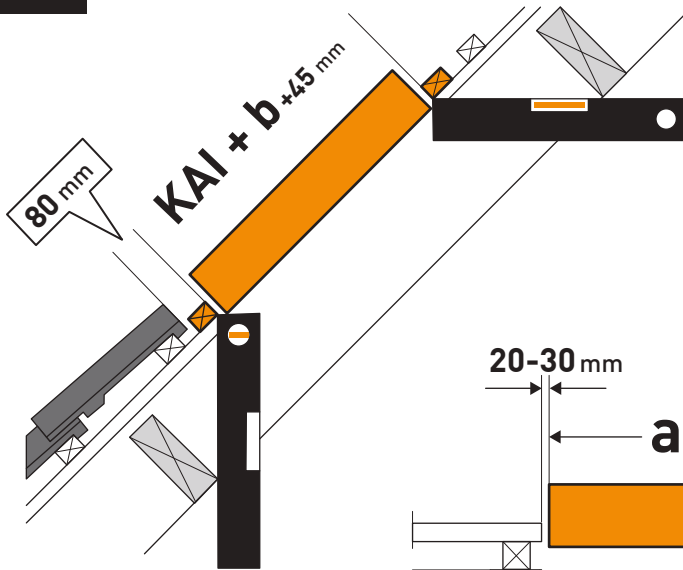
02



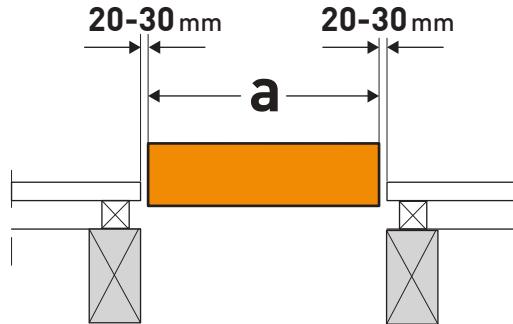
03



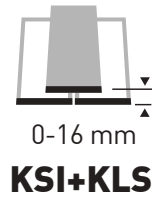
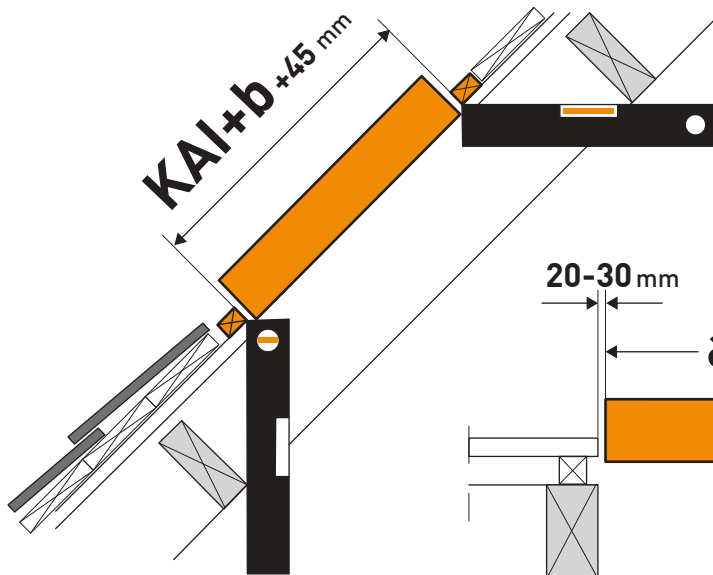
04a



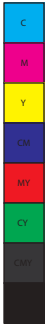
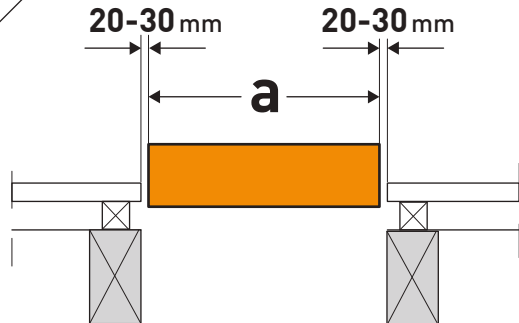
16-120 mm
KUI+KUF



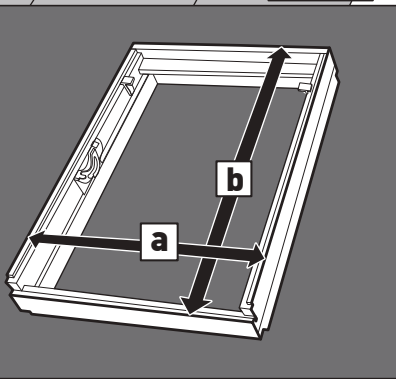
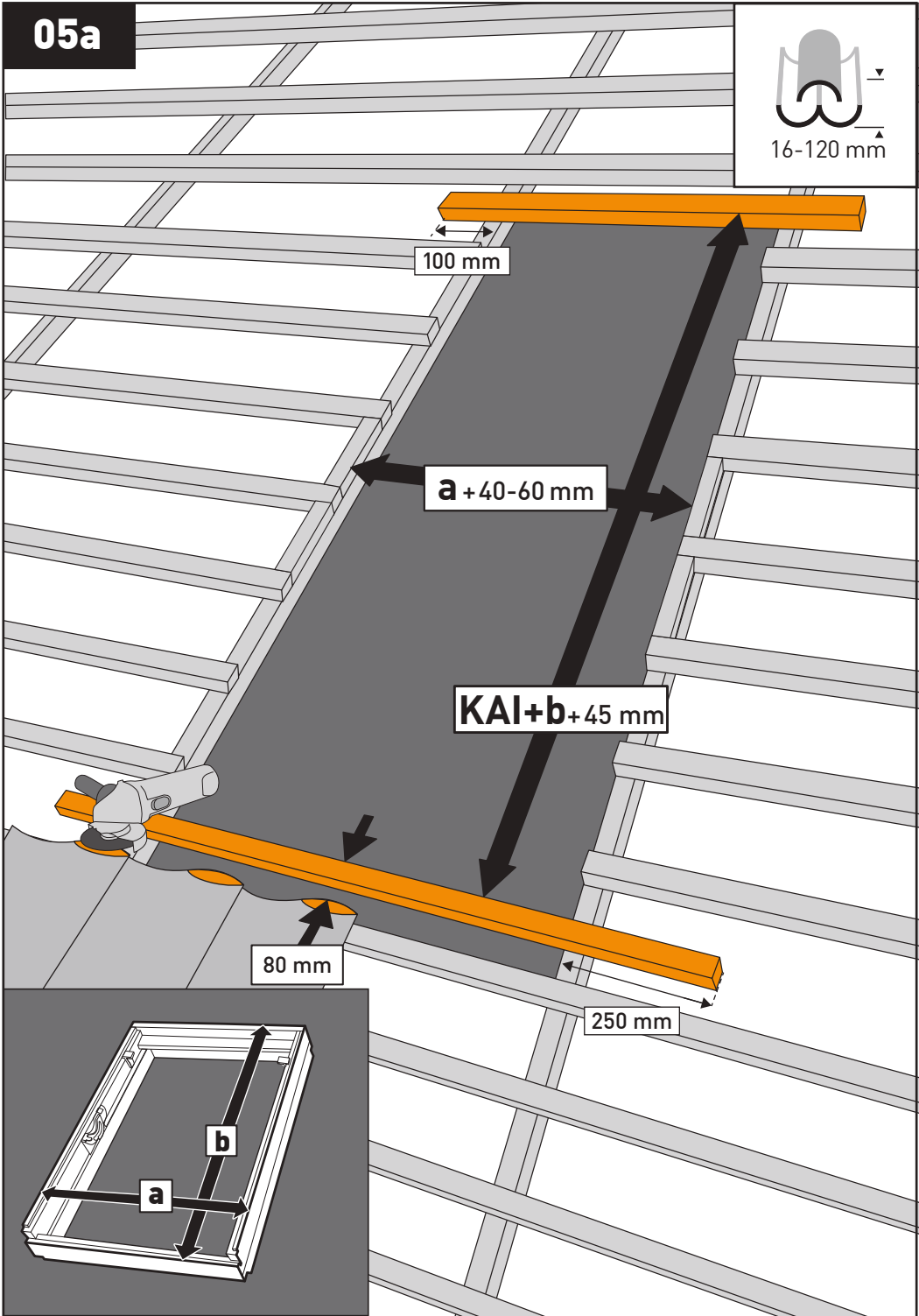
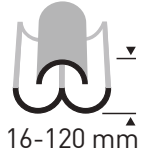
04b



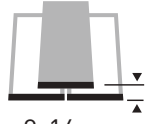
0-16 mm
KSI+KLS



05a



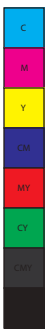
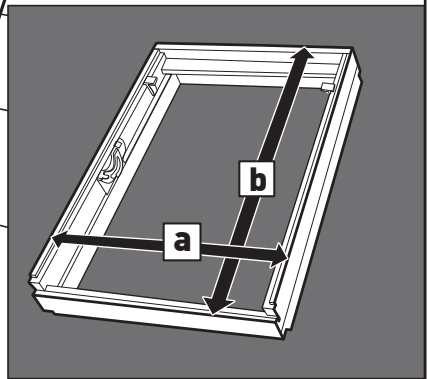
05b



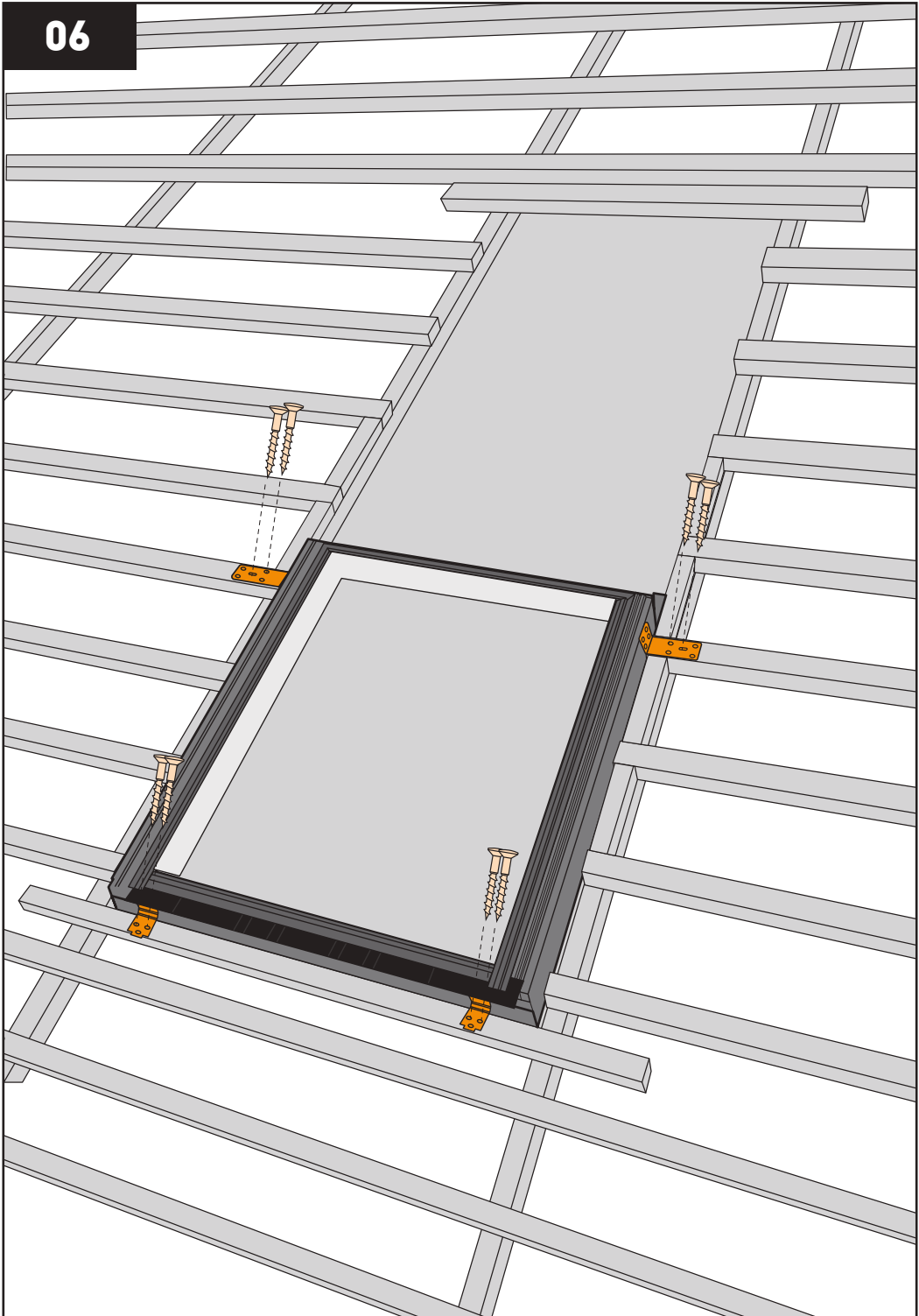
$a + 40-60 \text{ mm}$

$KAI + b + 45 \text{ mm}$

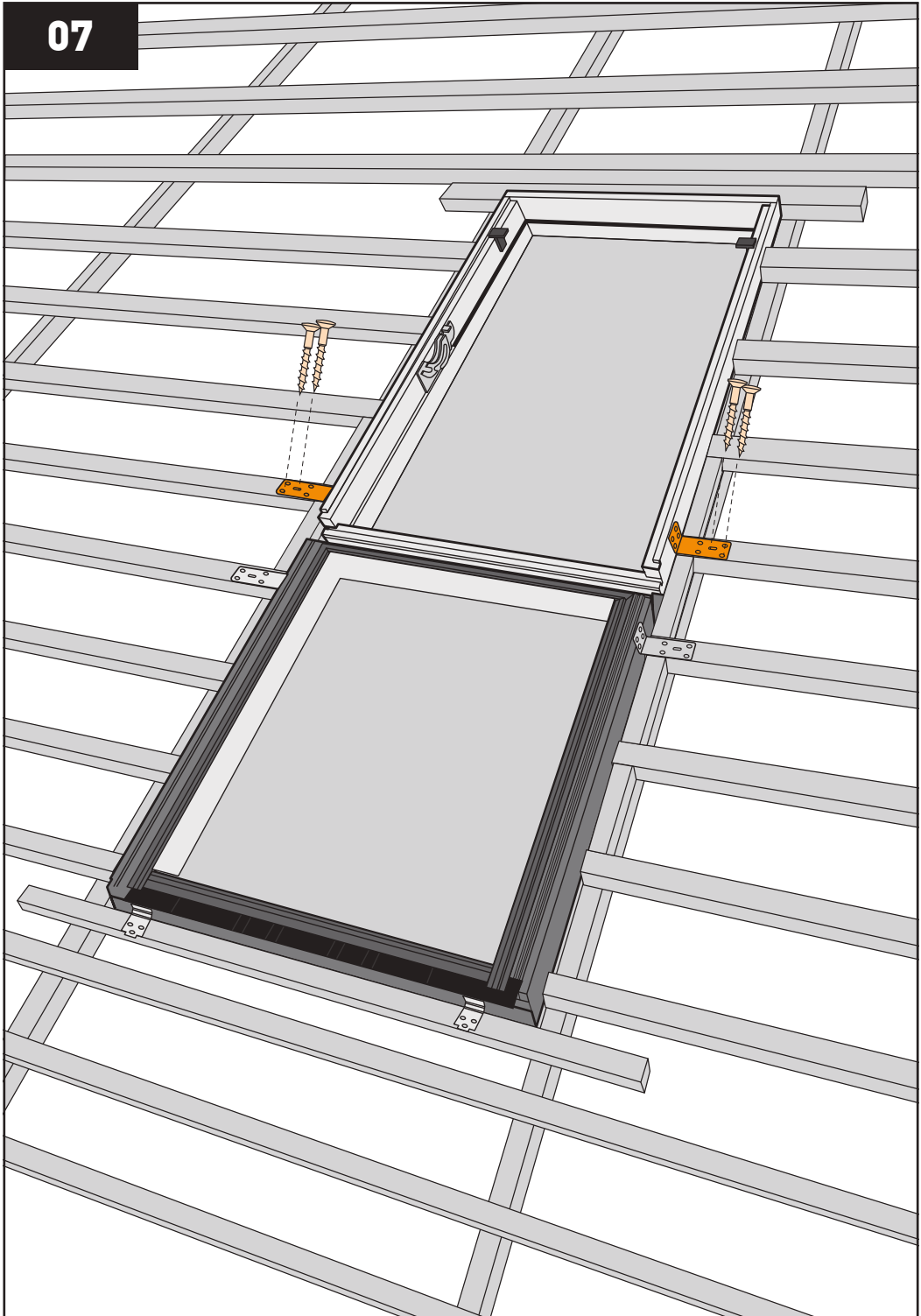
105 mm



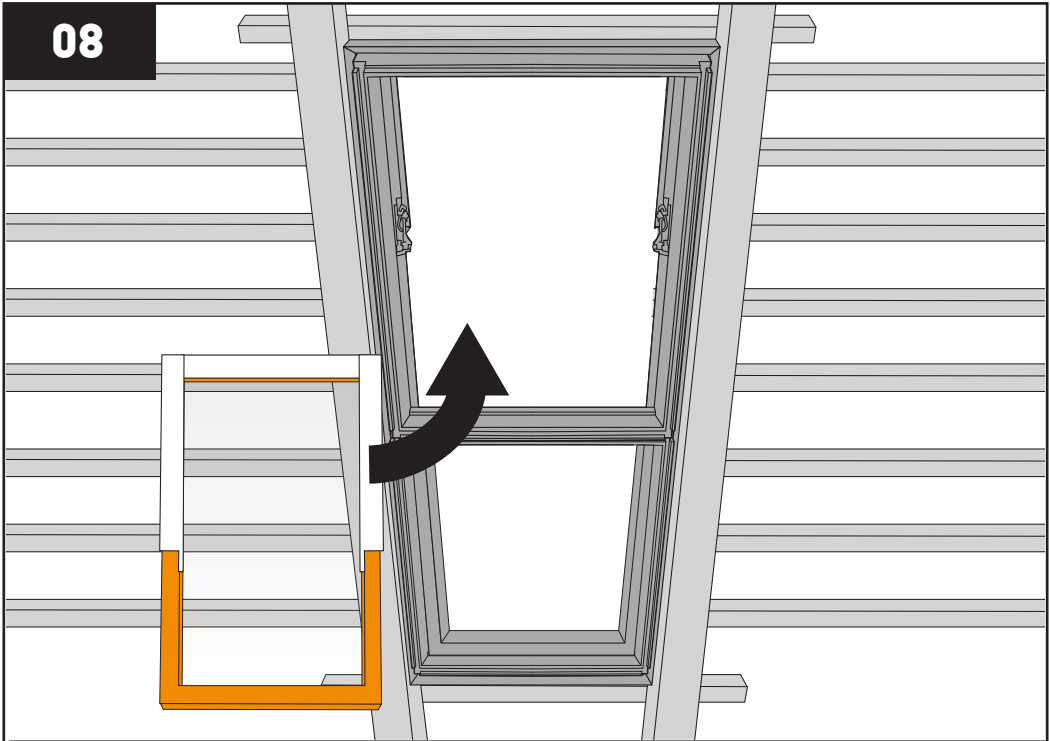
06



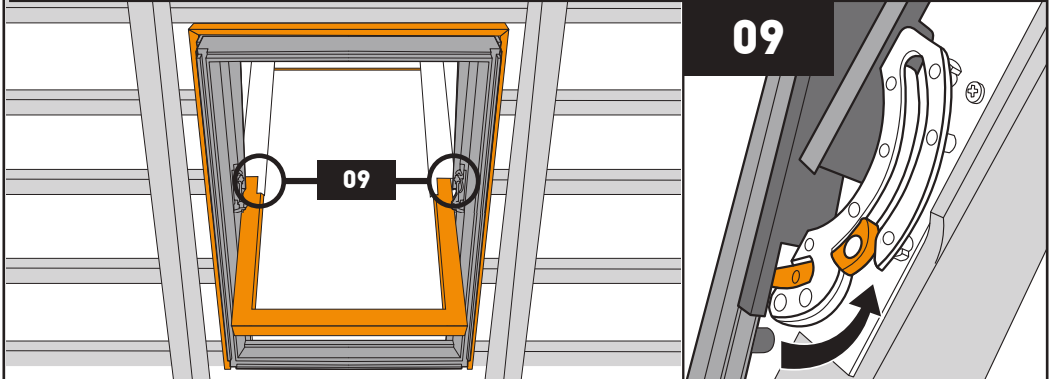
07



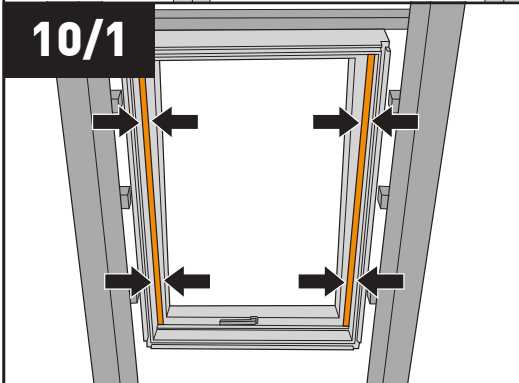
08



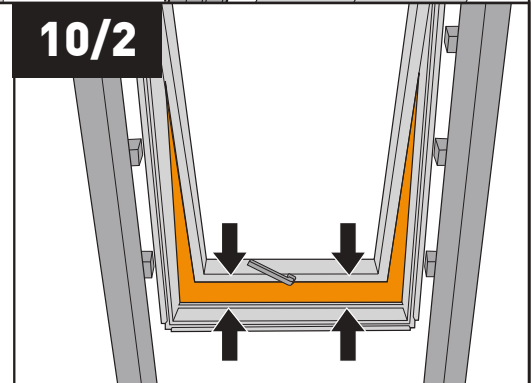
09

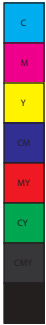
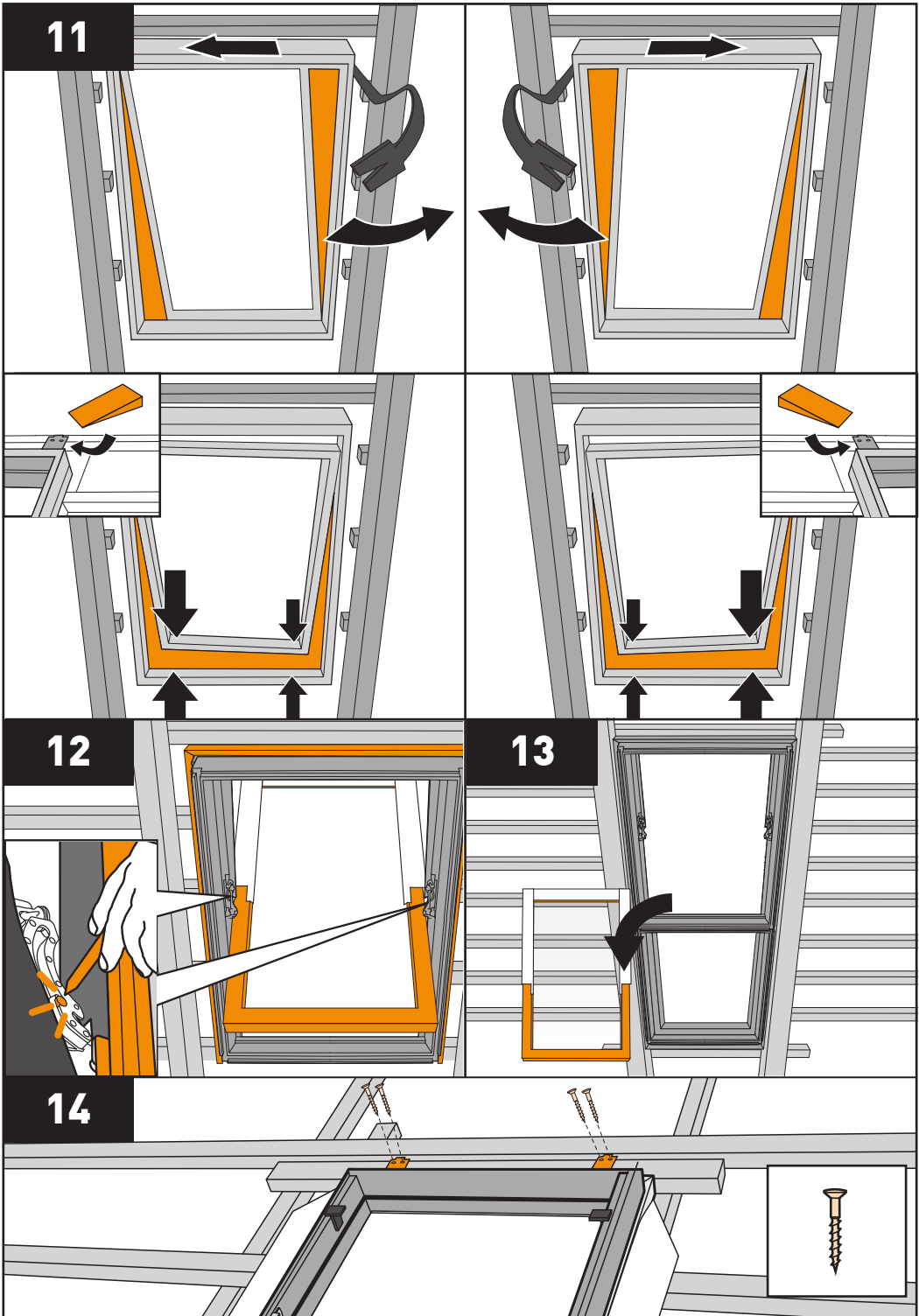


10/1

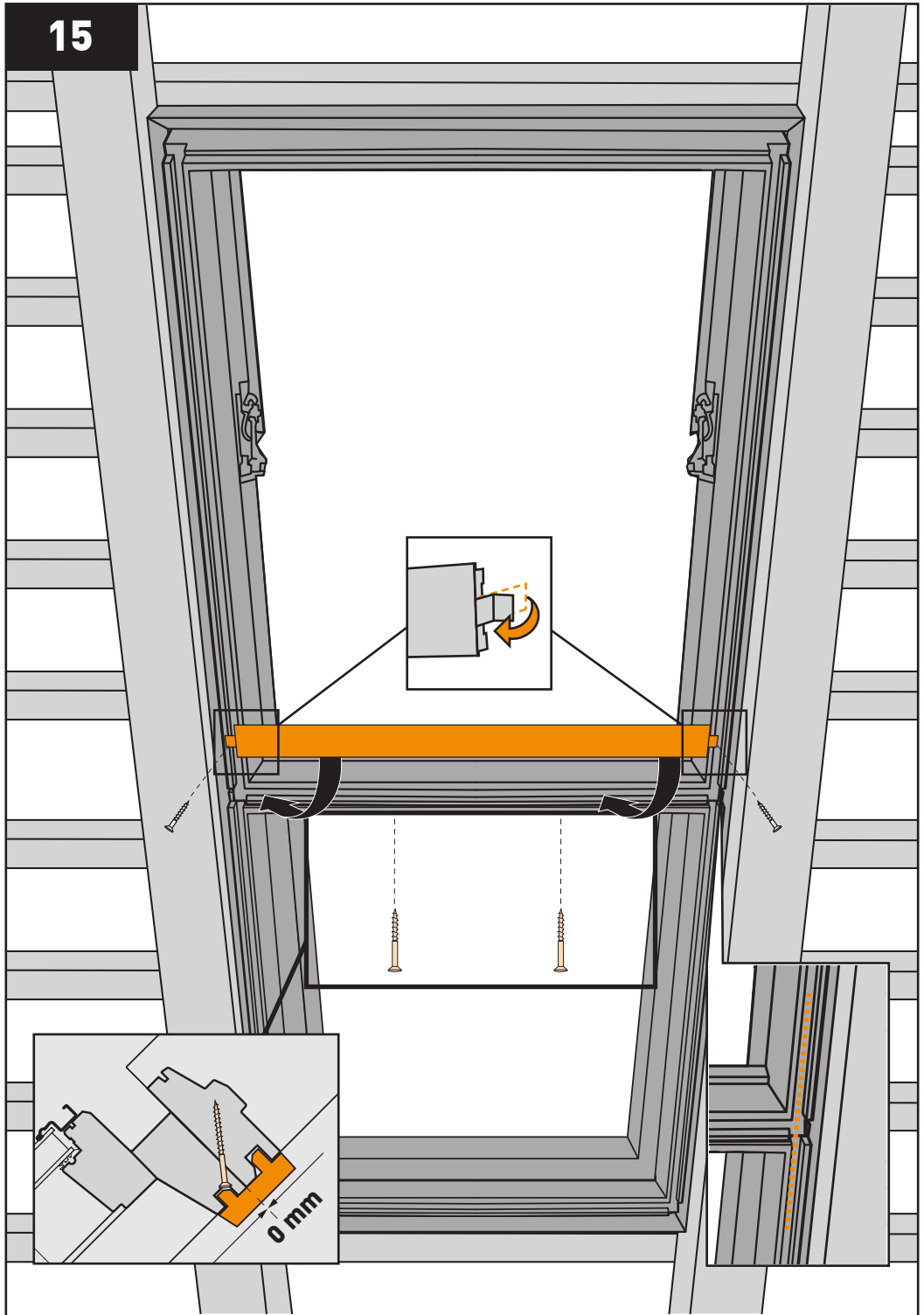


10/2

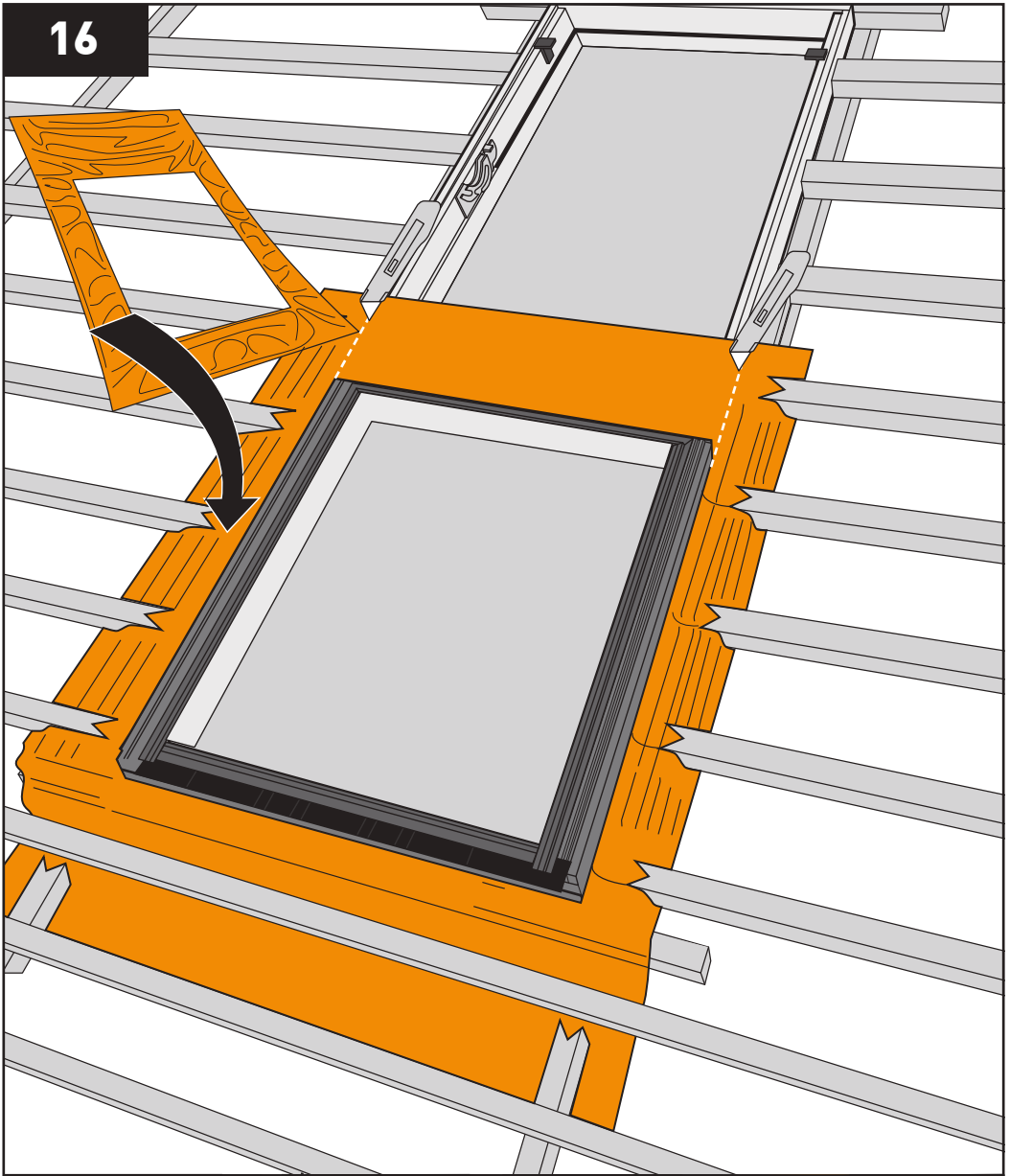




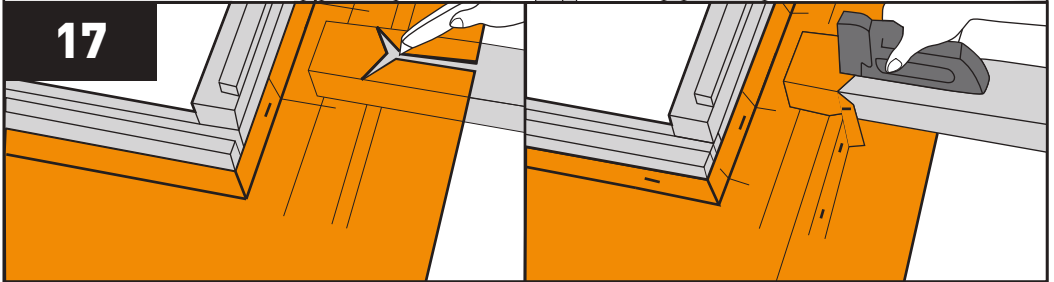
15



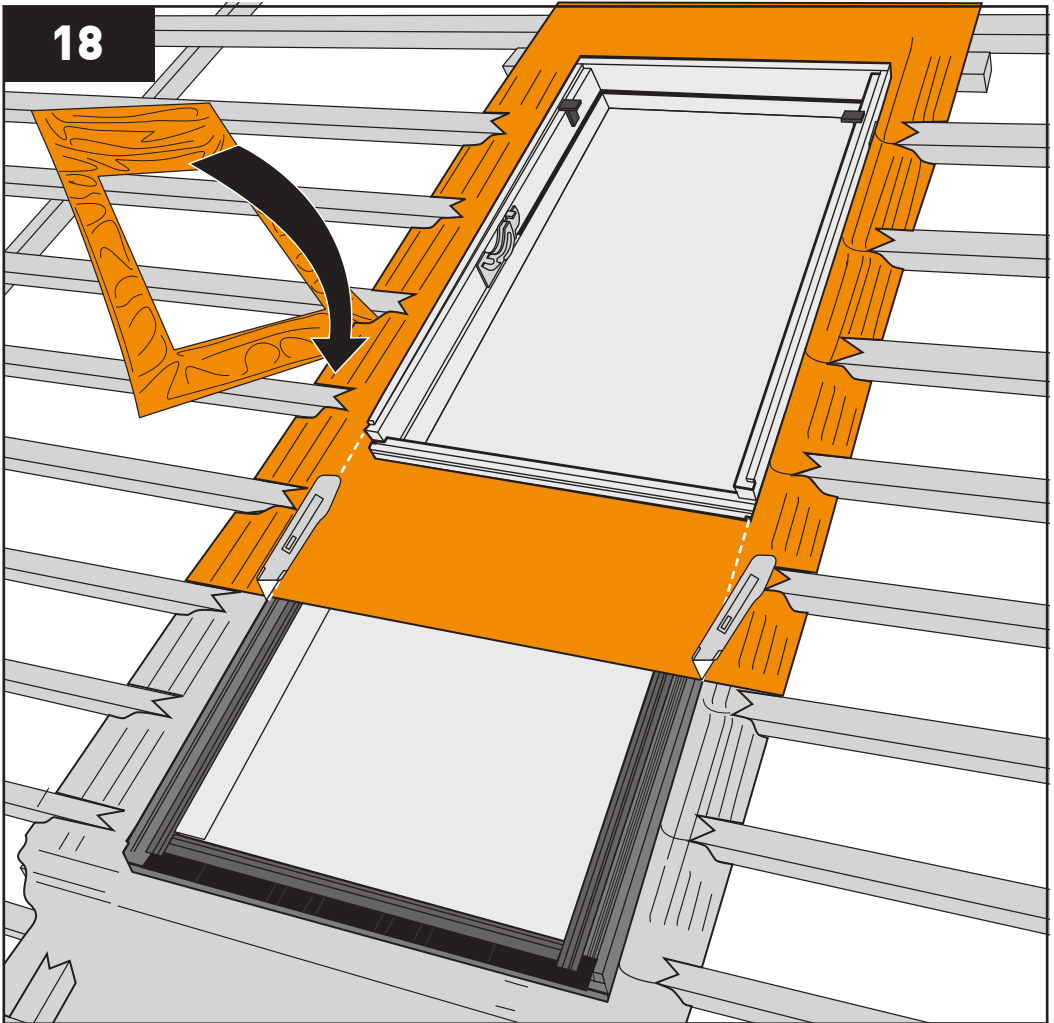
16



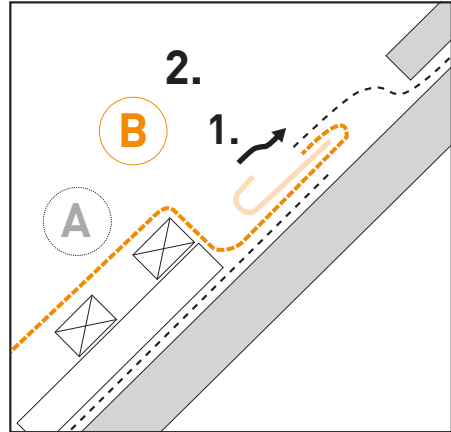
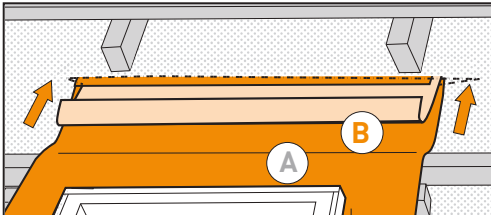
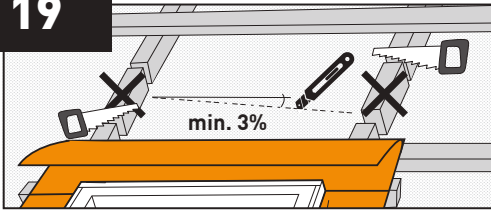
17



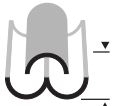
18



19



20a

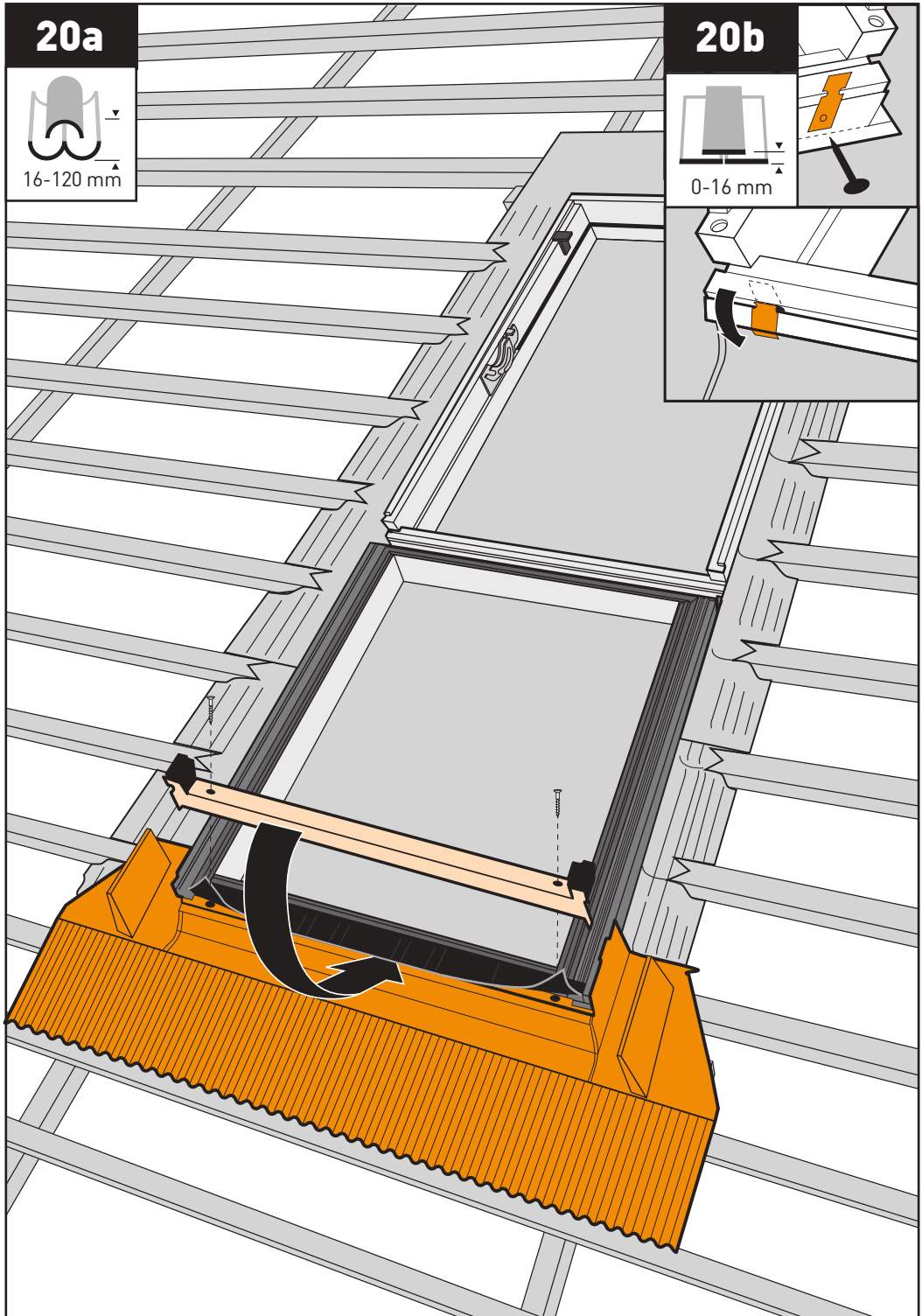
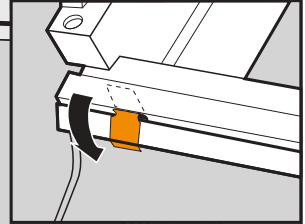
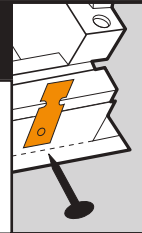


16-120 mm

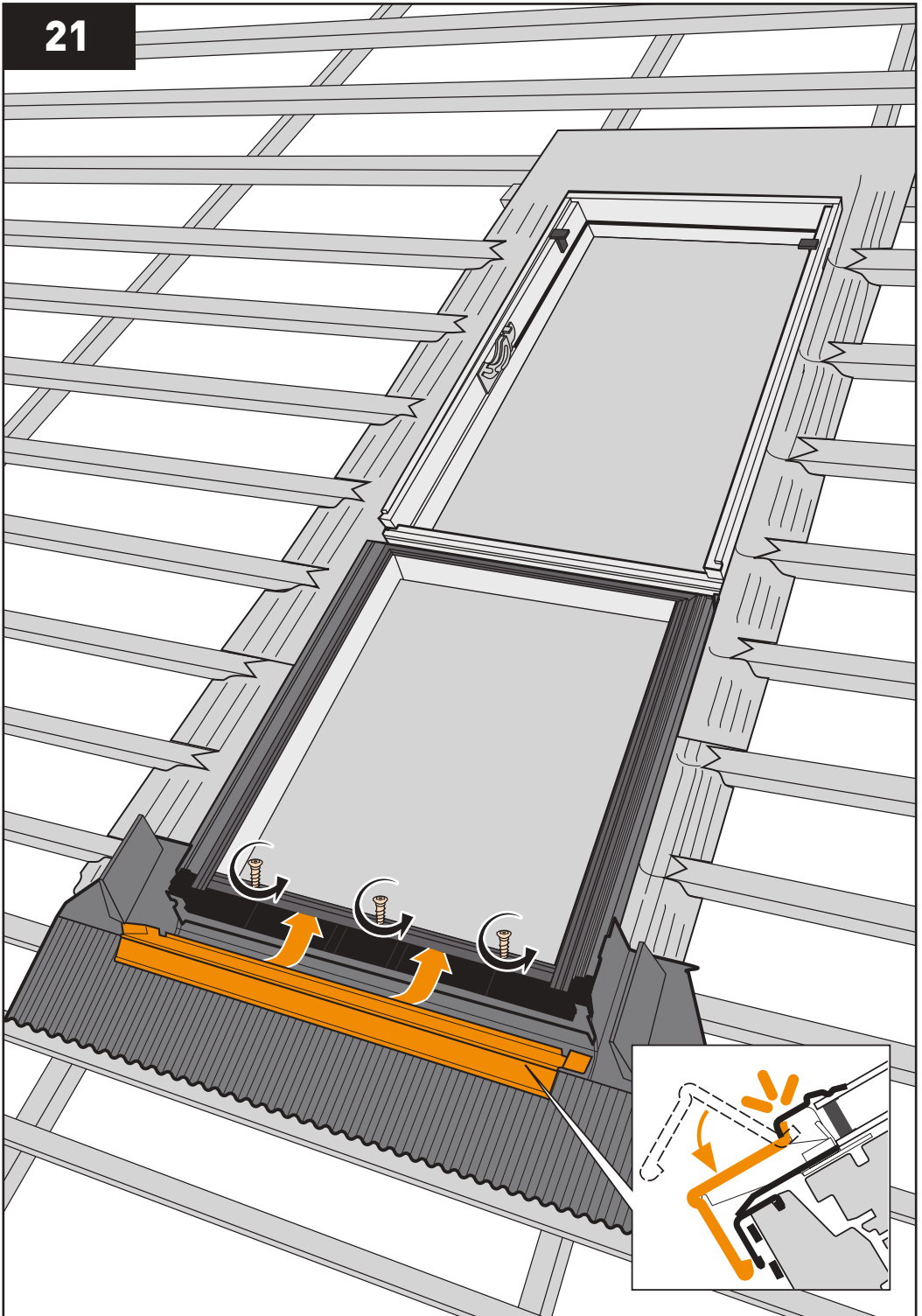
20b



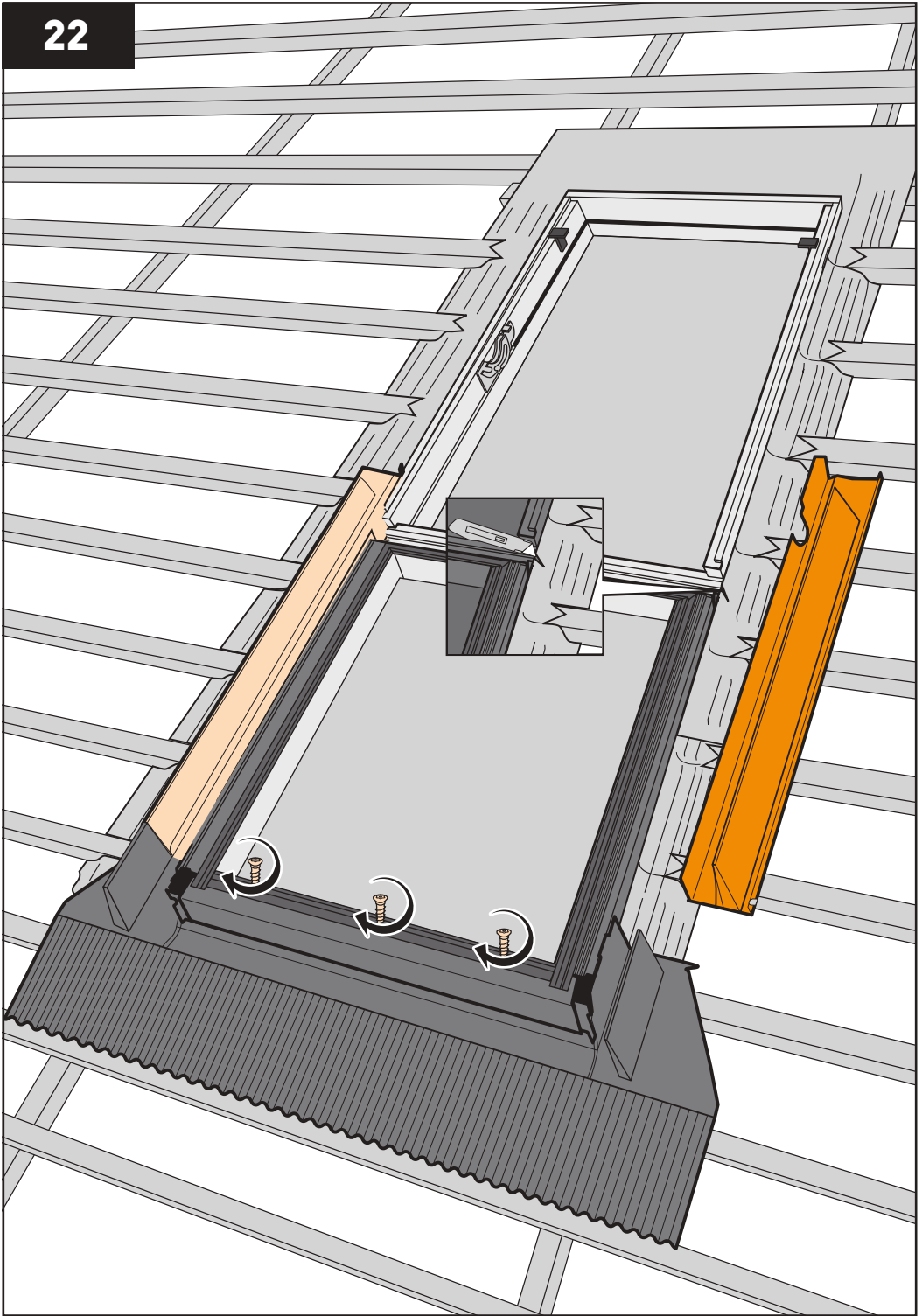
0-16 mm



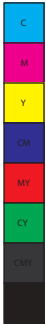
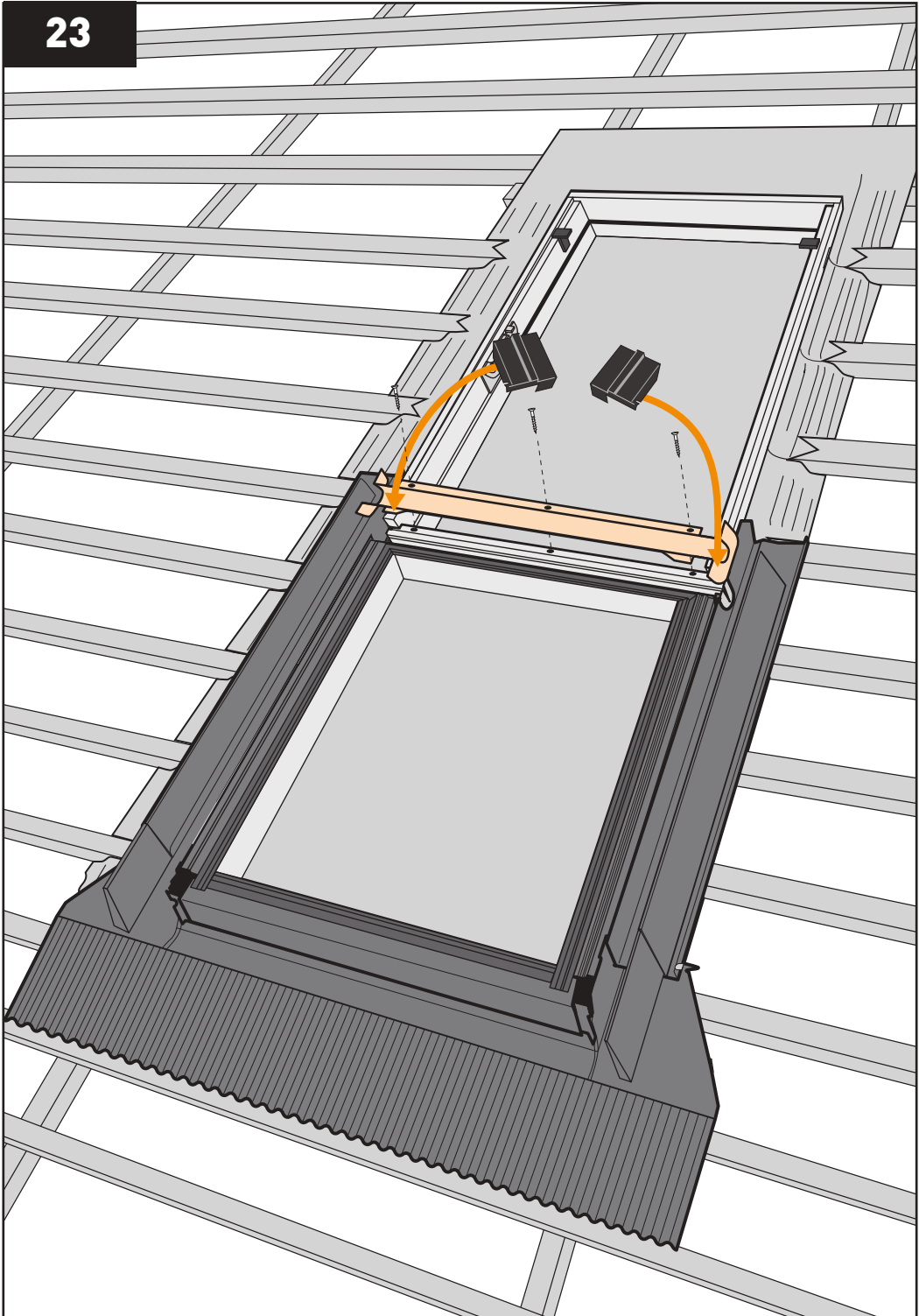
21



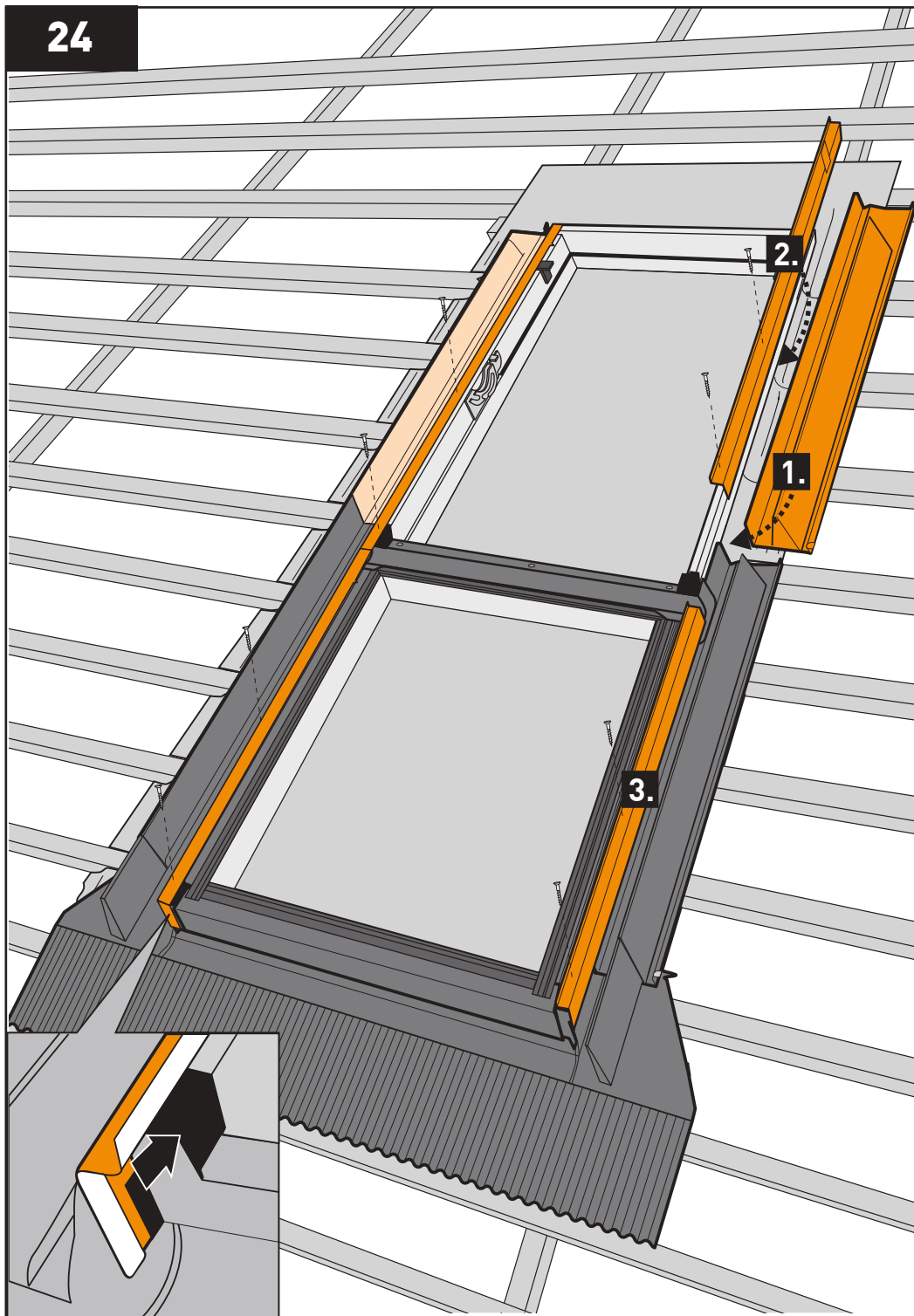
22



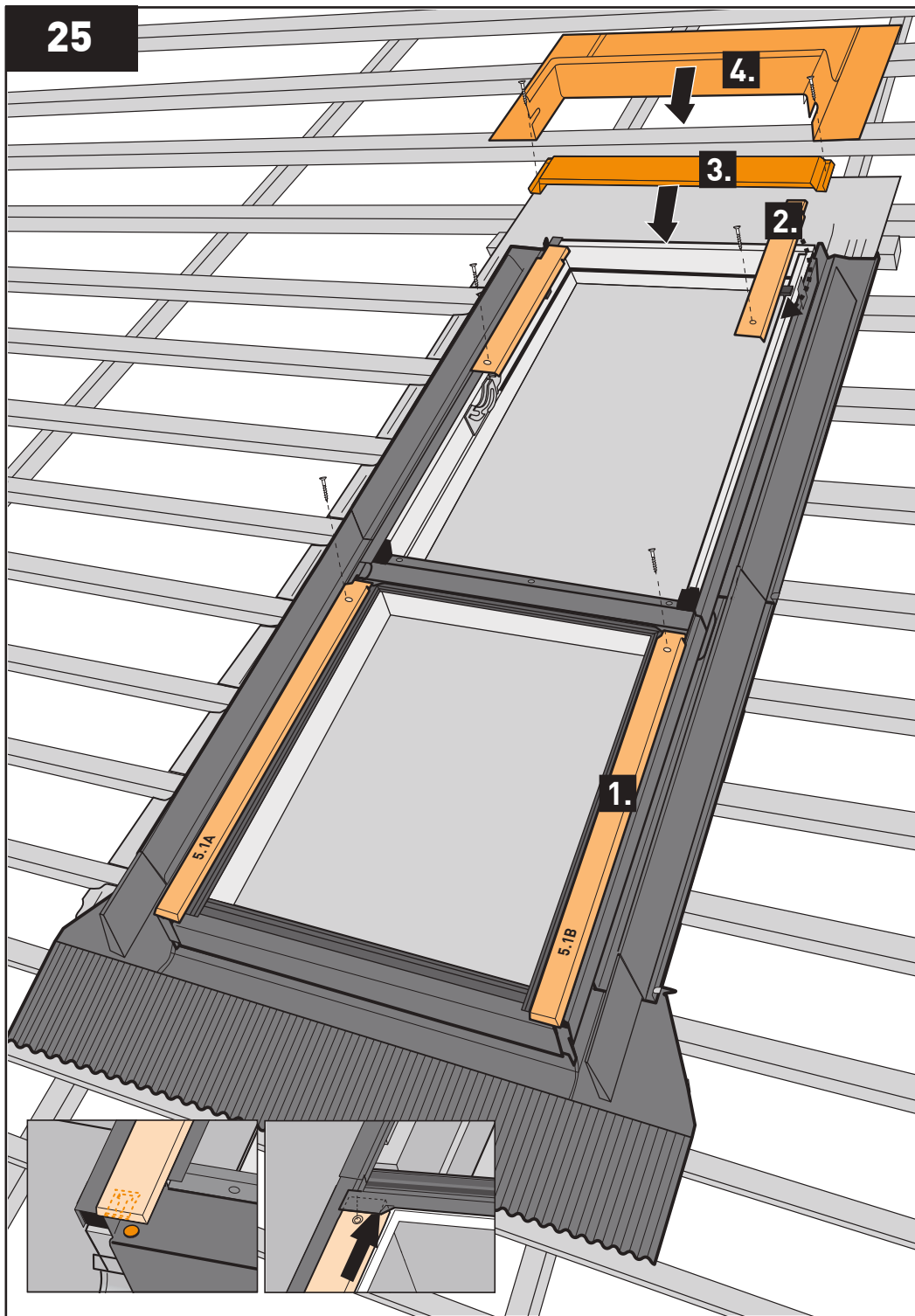
23



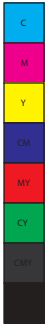
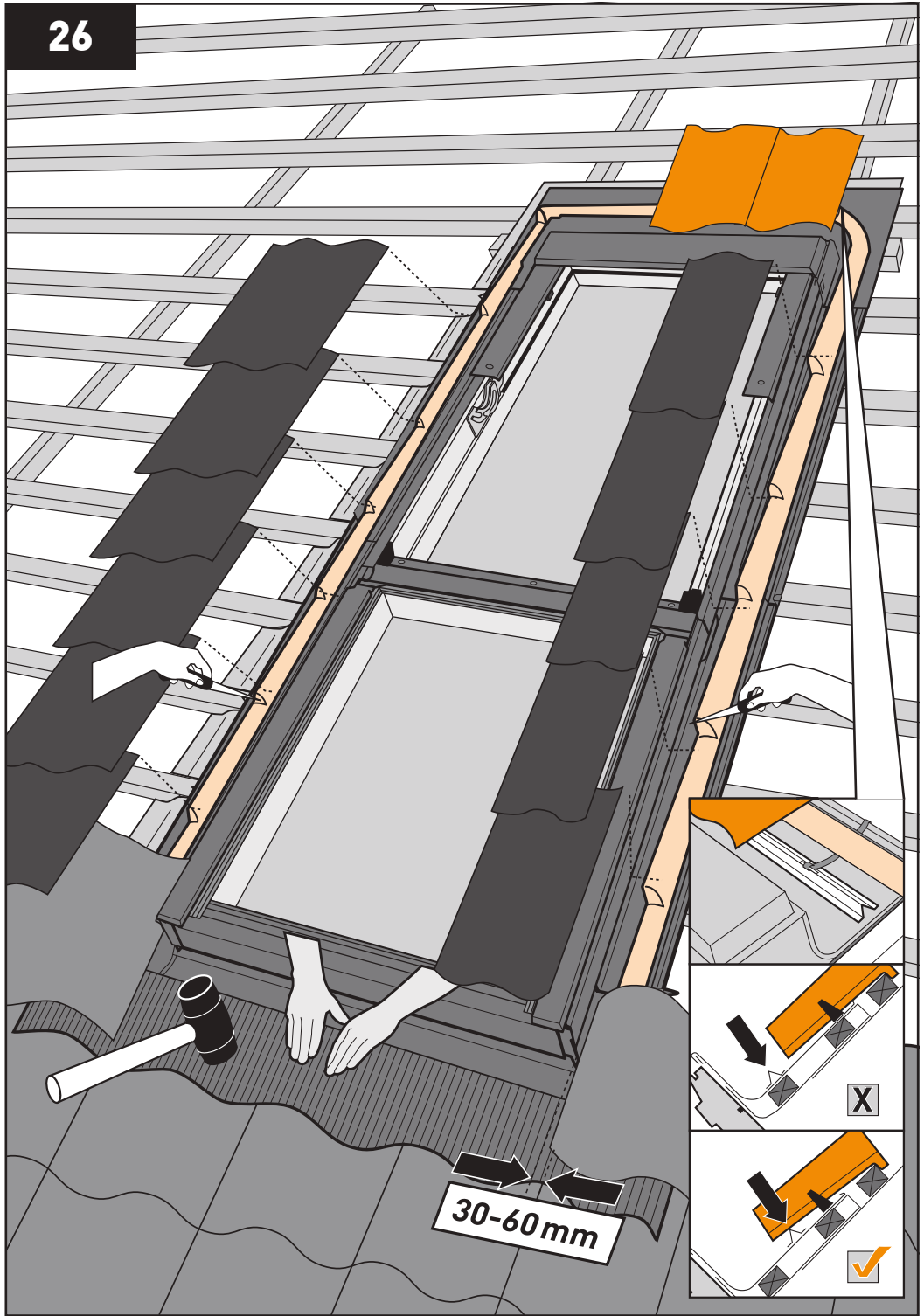
24



25



26

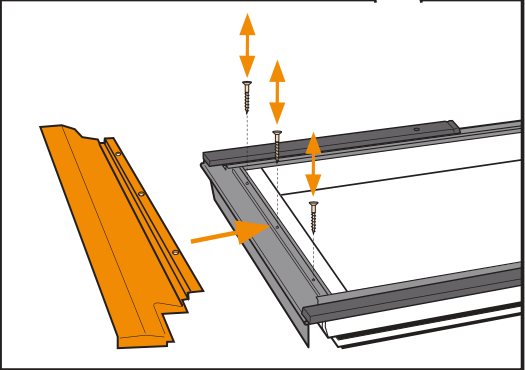
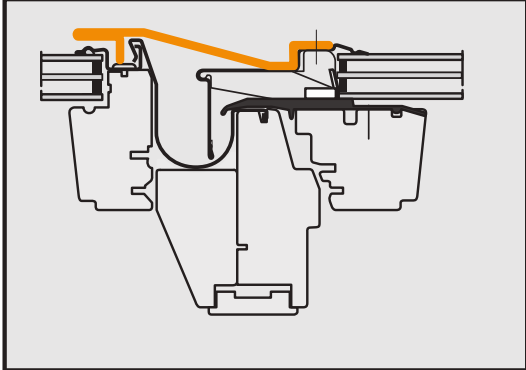
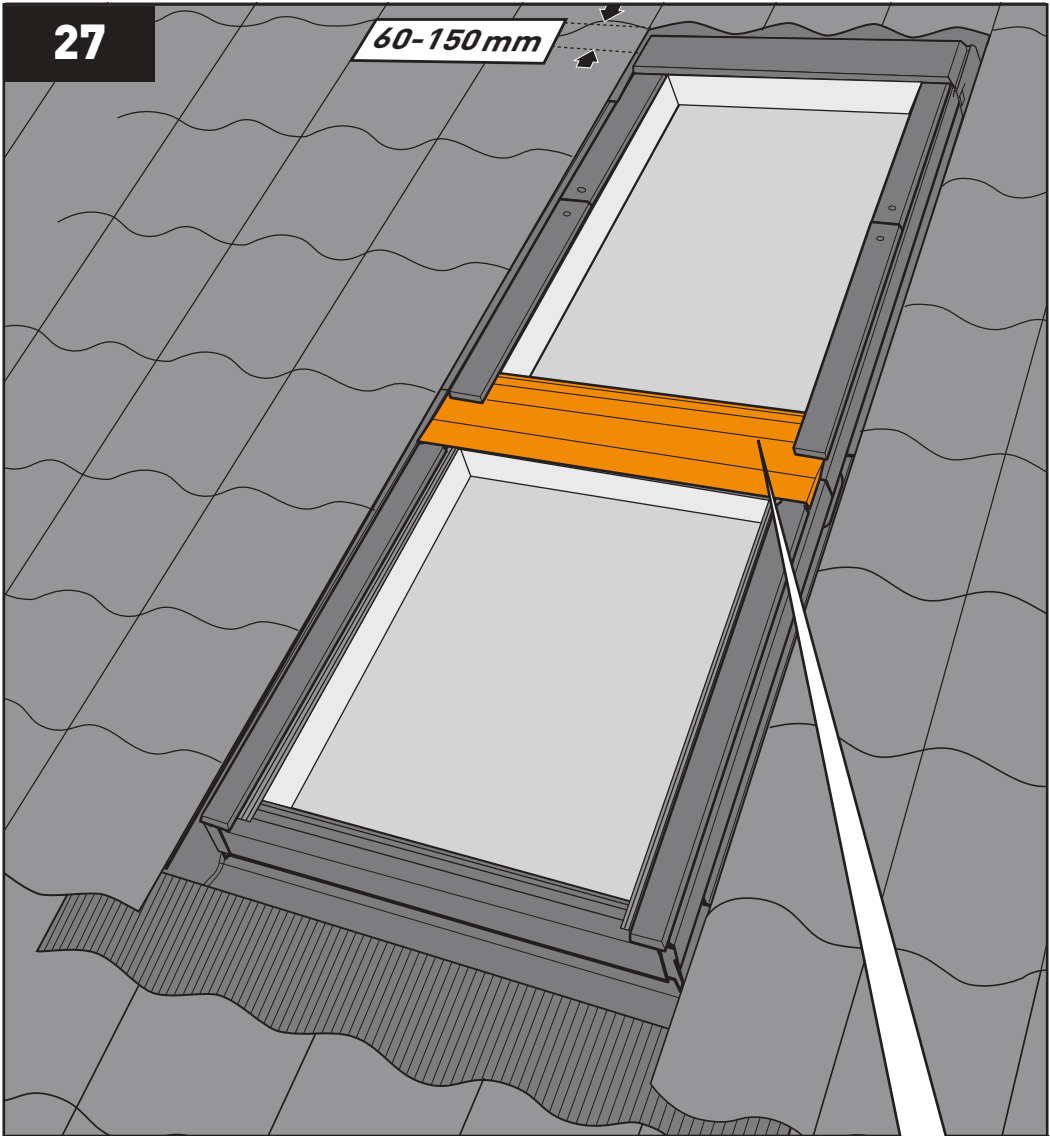


30-60 mm

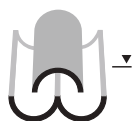


27

60-150 mm

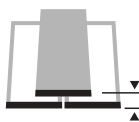






16-120 mm

KUI + KUF
15-90°



0-16 mm

KSI + KLS
15-90°

