

ARENA

COMPOSITE FENCING



Fencing Installation Guide

Contents

Important Note	2
Fencing Parts Overview	3
Fencing Parts Introductions	4
Fencing Post Installation Method - Into Soil	5-6
Fencing Post Installation Method - Fixing Into Concrete	7-8
Fencing Board Installation	9-11

Important Note

The diagrams and instructions outlined in this guide are for illustrative purposes only. must comply with all local building regulations. The consumer assumes all risks and responsibilities associated with the construction and use of this product

Safety

Please take safety precautions before installing the decking, check that the equipment is working properly and is free of malfunctions, and wear protective safety gear such as gloves, goggles, and impact resistant shoes.

Environment

Proper installation requires a clean, smooth, and level surface. Check with local building regulations before installing any type of fencing. If installation is not carried out within a timely manner following receipt of the composite fencing components, the components should be stored on a flat surface at all times. Never place on an uneven surface.

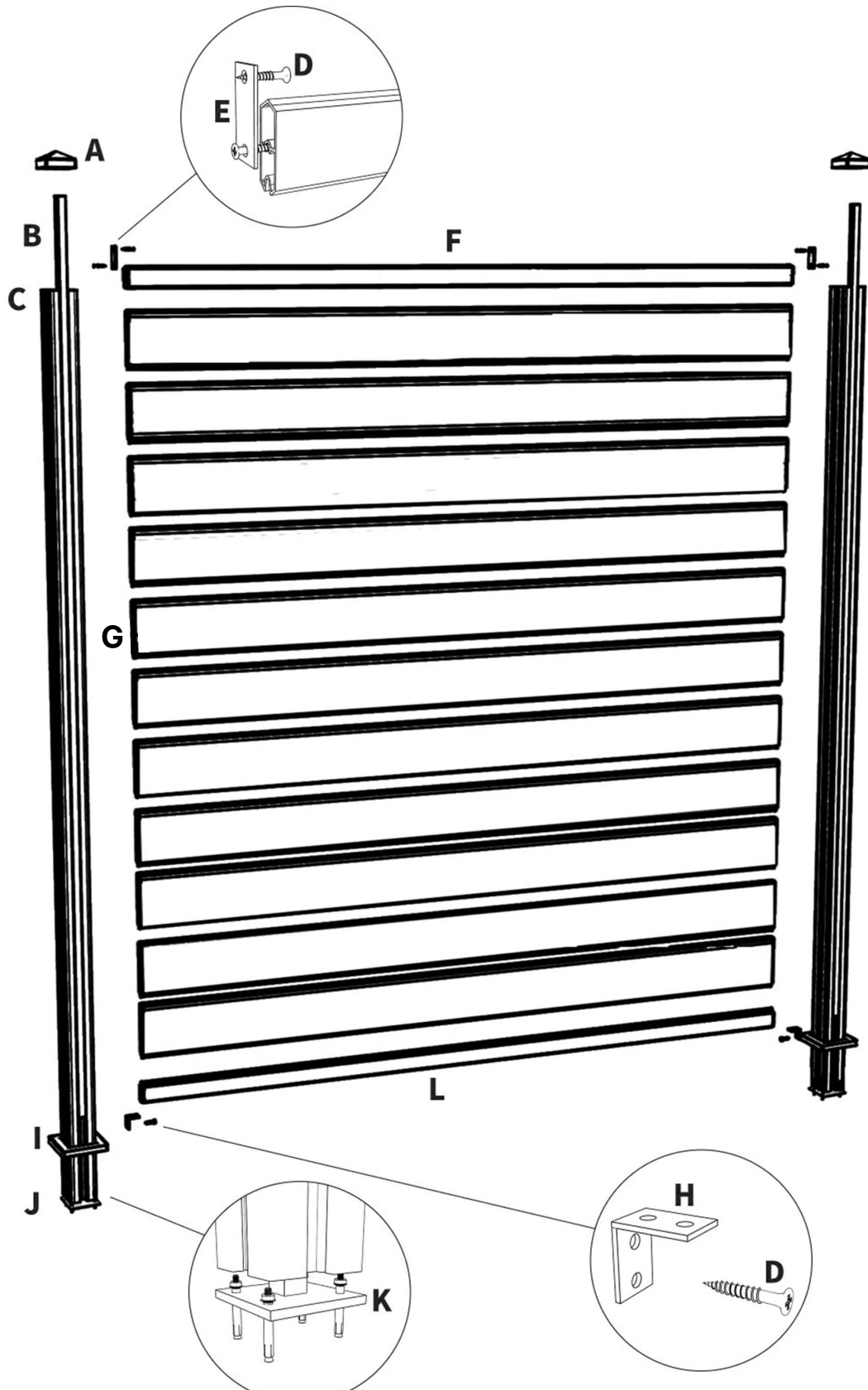
Planning

Plan the layout for your fencing before you begin to ensure you get the best look for your fencing project.

Check to see if any local authority building regulations are applicable (height of fence etc.) prior to any installation.

We recommend planning the overall layout approach and scope of the layout prior to installation to try to avoid mistakes in this area.

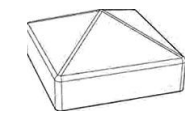

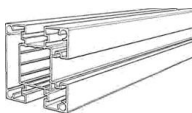


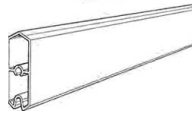
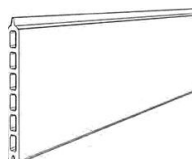


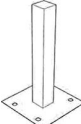

Fencing Parts Overview



Fencing Parts Introduction

Product

Description

A		Post Cap
B		Aluminium Post Cover
C		Aluminium Fence Post
D		Galvanized Screw
E		Top Bracket
F		Aluminium Top Rail
G		Fencing Board
H		Bottom Bracket
I		Fence Post Skirt
J		Galvanized Post Support
K		Aluminium Bottom Rail



Impact Drill



Electric Drill



Tape Measure



Hammer



Spirit Level

Fencing Post Installation - Into Soil

- 1 Measure the centre distance for installing Aluminium Fencing Posts (C), ensuring a 2-3mm extension beyond the fencing board length. Insert Aluminium Strips (B) into the Fencing Posts (C), avoiding the side for attaching the fencing board.

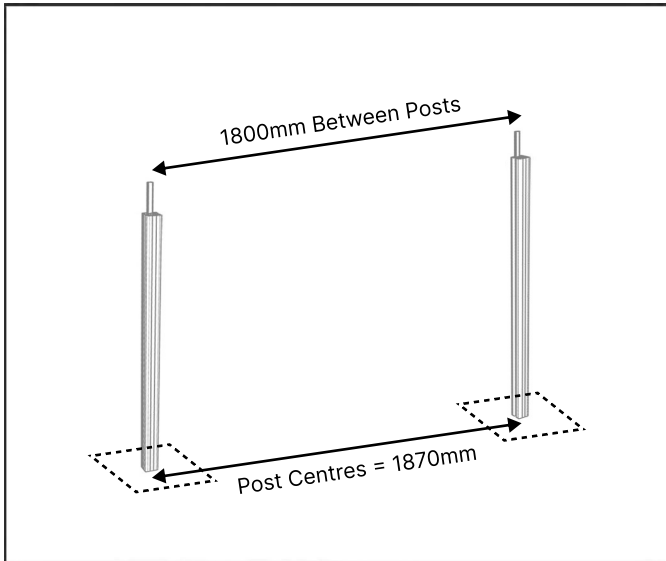


Diagram 1

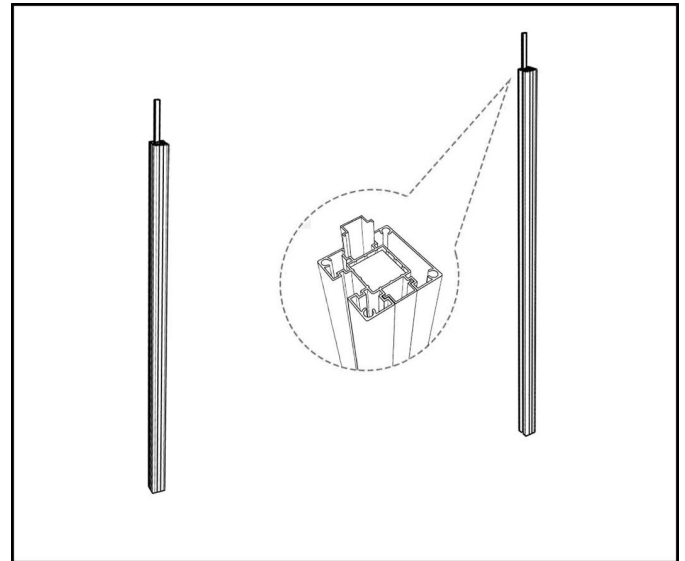


Diagram 2

- 2 Dig holes at the measured positions, approximately 720mm deep with a diameter about 4 times the post diameter. Place 150mm of gravel at the bottom of the hole.

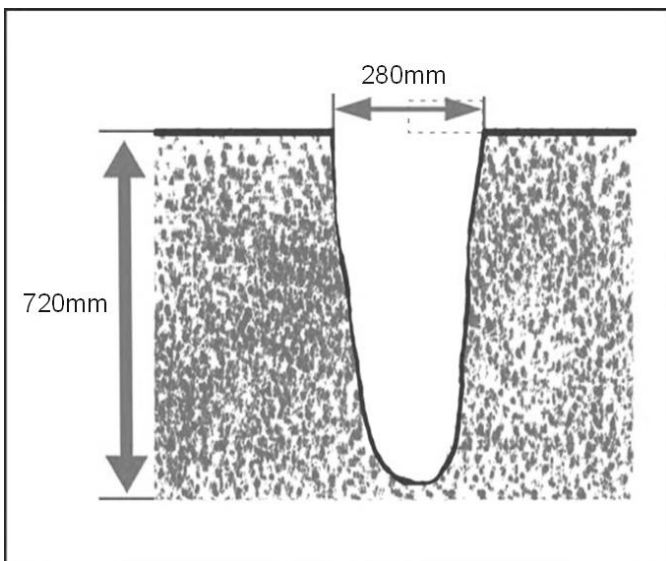


Diagram 3

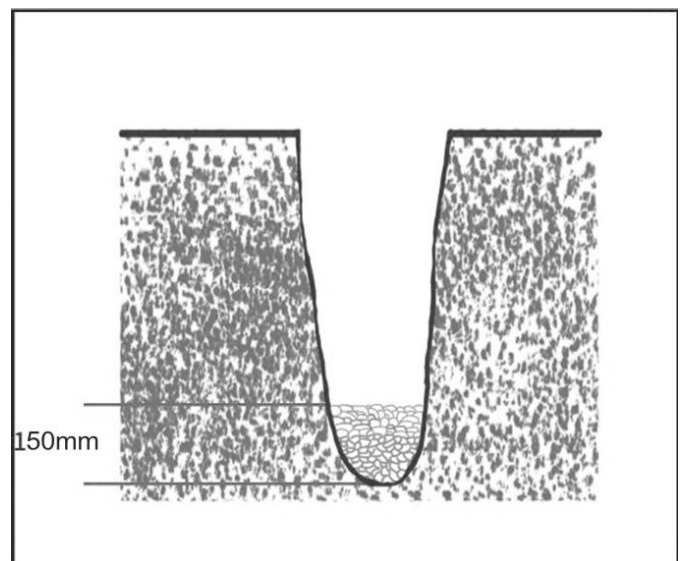


Diagram 4

- 3 Insert the fence posts (C) into the holes, ensuring they are vertical. Pour concrete to 50mm below ground level and fill with sand to ground level.

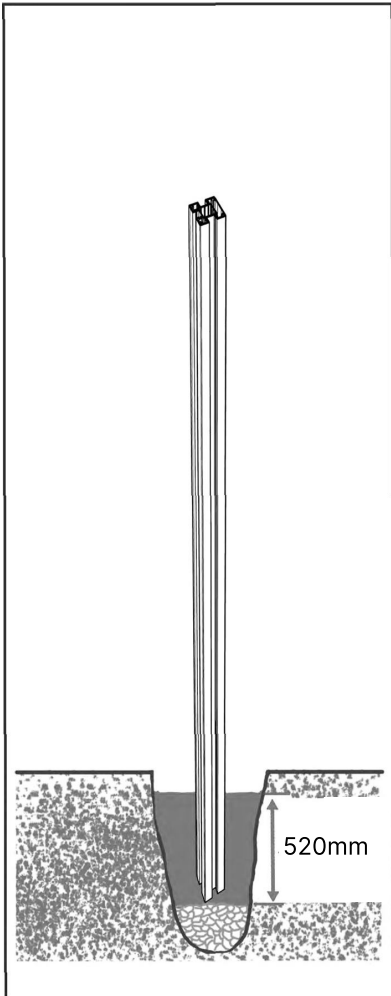


Diagram 5

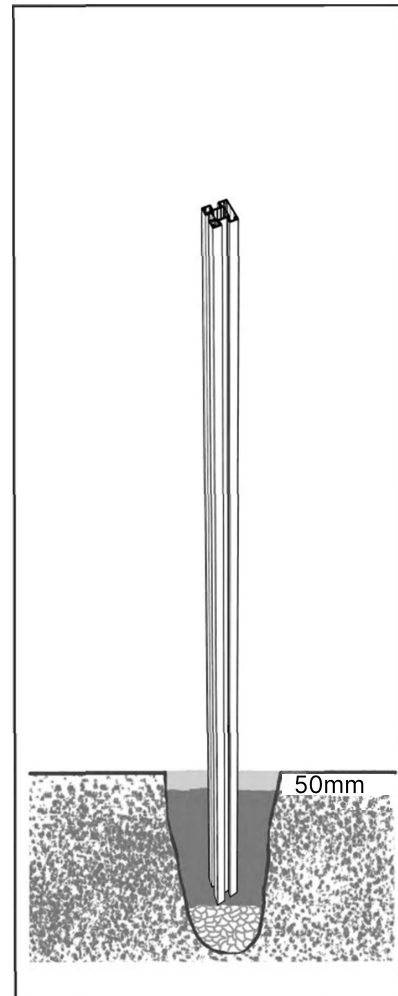


Diagram 6

Fencing Post Installation - To Concrete

- 1 Measure the distance between two adjacent Fencing Posts (C) to determine the position for installing the Galvanized Fencing Post Bases (J). Drill holes in the ground using an impact drill, aligning with the holes on the Post Bases (J).

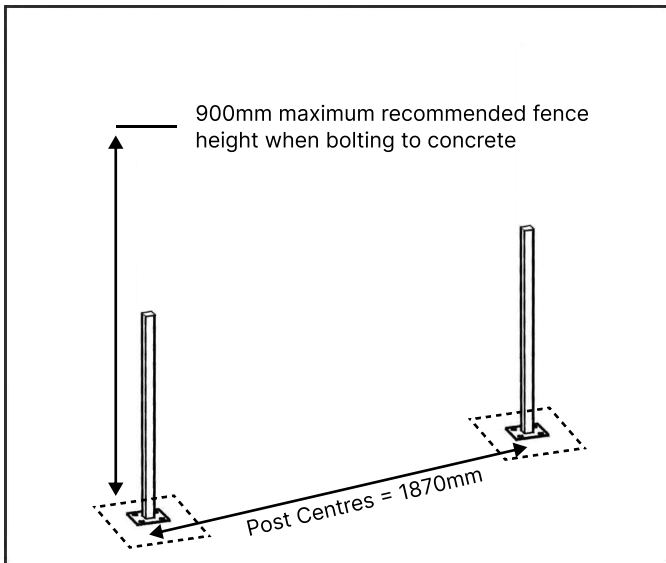


Diagram 7

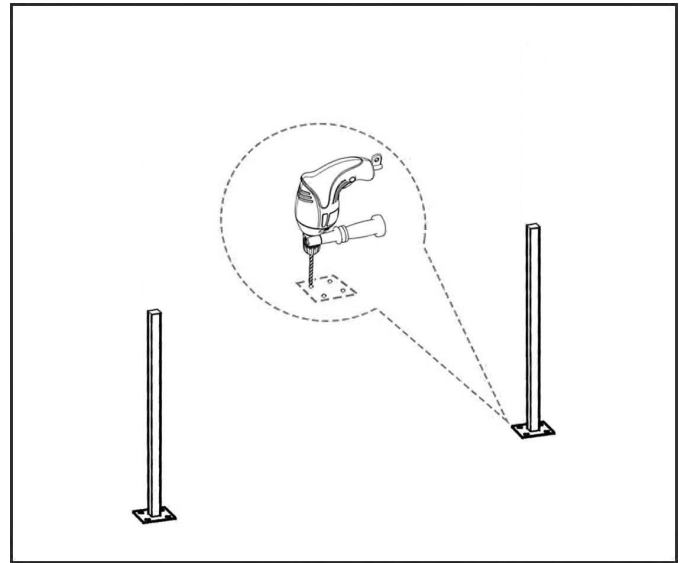


Diagram 8

- 2 Secure the Post Supports (J) to the ground using Galvanized Expansion Bolts (Not supplied*). Insert Aluminium Strips (B) into the Fencing Posts (C), avoiding the side for attaching the fencing board.

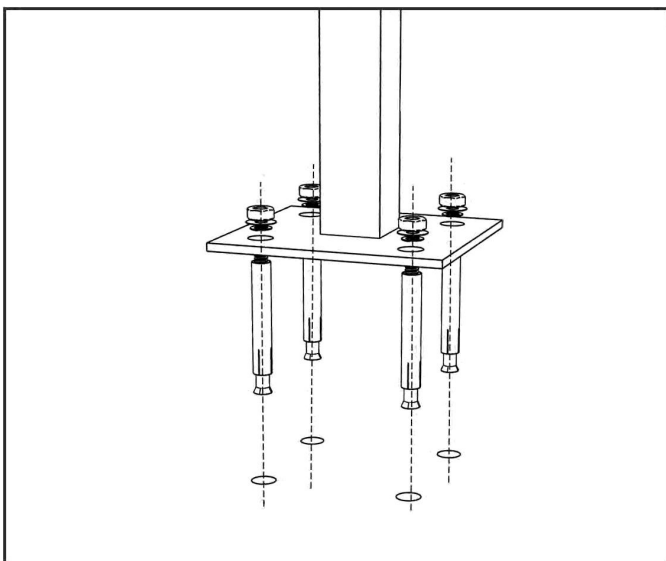


Diagram 9

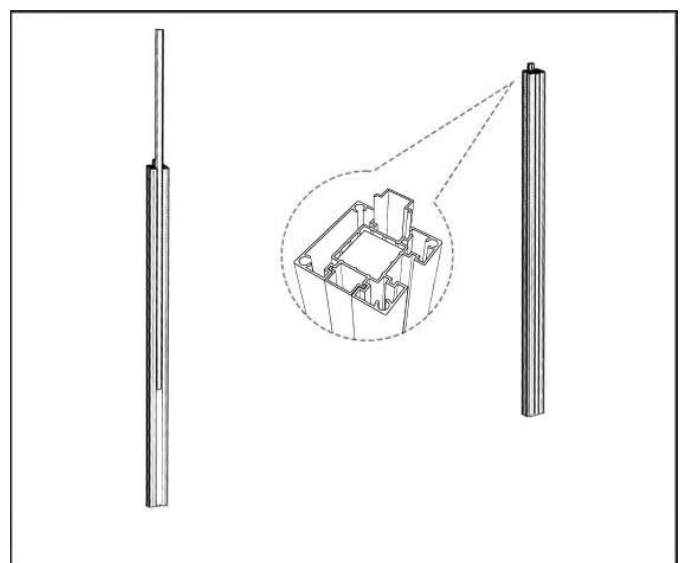


Diagram 10

3 Insert the Fencing Posts (C) onto the Post Bases (J).

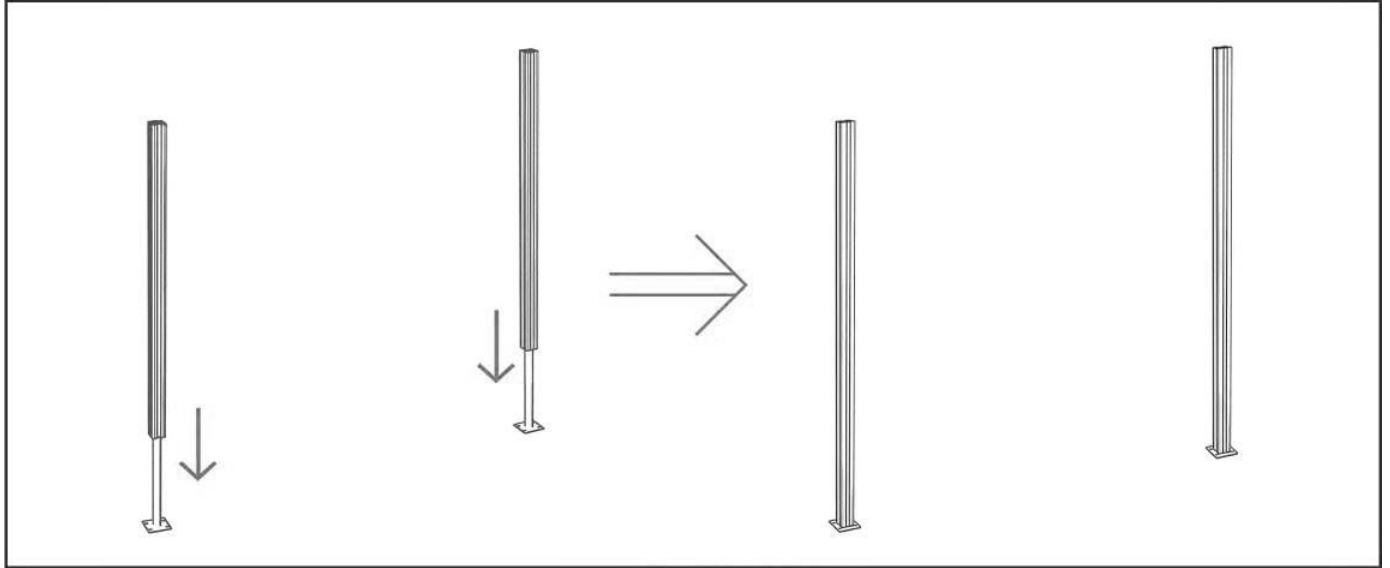


Diagram 11

Fencing Board Installation

- 1 Insert Post Skirt (I) from the top of Fencing Posts (C) and slowly slide down to the bottom. Secure bottom rail brackets (H) to the Fencing Posts (C) using Galvanized Screws (D), as shown in Diagram 13.

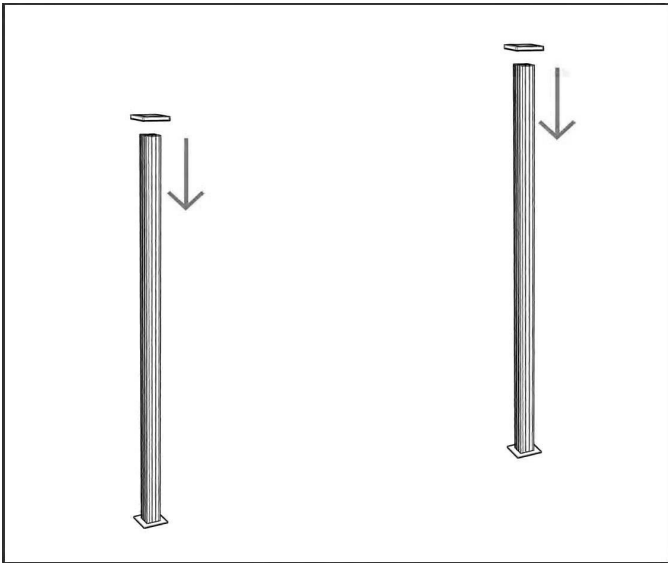


Diagram 12

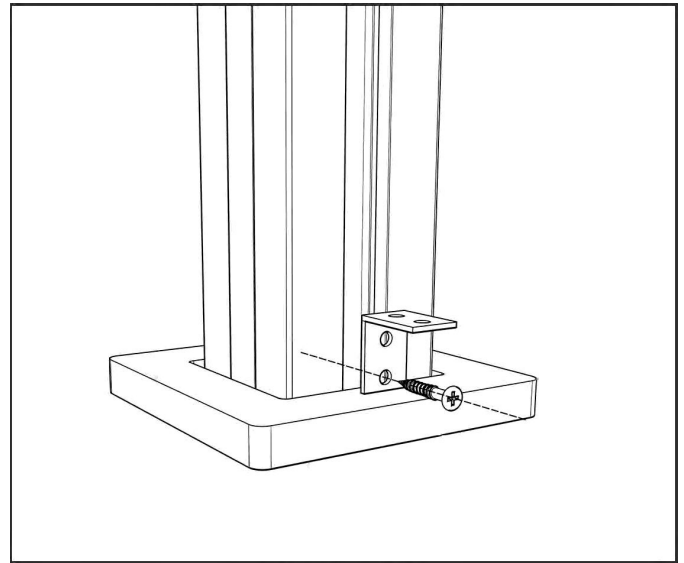


Diagram 13

- 2 Insert Aluminium Bottom Rail (L) into the Fencing Posts (C) and slowly slide it down to position on the bottom rail brackets (H).

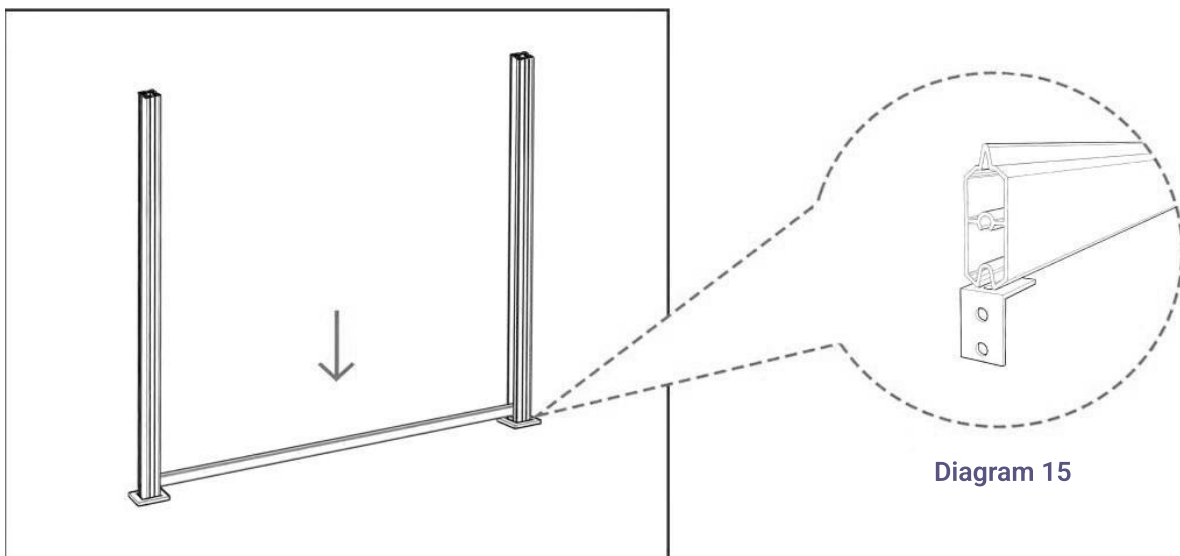


Diagram 14

Diagram 15

- 3 Insert the first Fencing Board (G) from the top, sliding down slowly and locate it on to the Bottom Rail (L), as shown in Diagram 17.

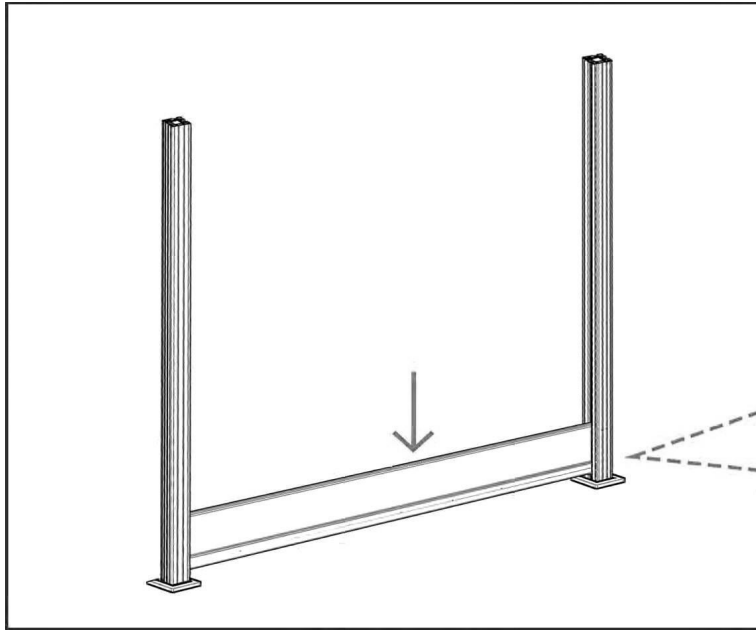


Diagram 16

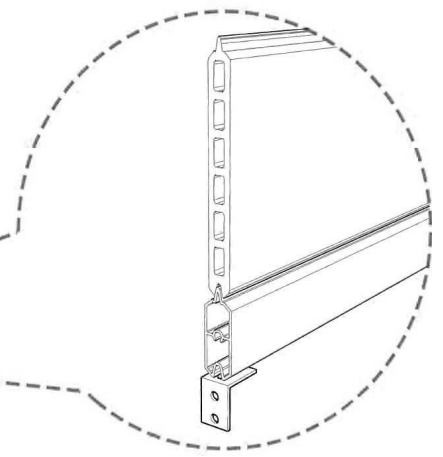


Diagram 17

- 4 Continue sliding the rest of the Fencing Boards (G). Fix Top Rail Bracket (E) to each side of the Aluminium Top Rail (F), then insert the Aluminium Top Rail (F) into the Aluminium Fencing Posts (C).

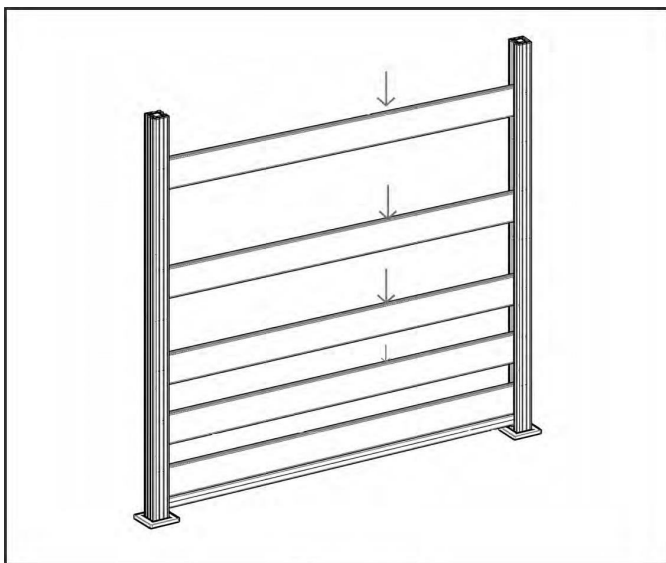


Diagram 18

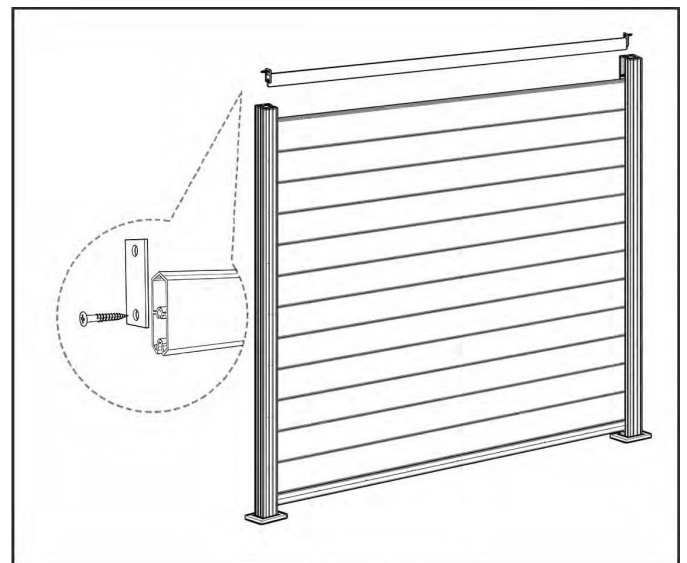


Diagram 19

- 5 Use Screws (D) to secure Top Rail Bracket (E) to Fencing Posts (C). Apply adhesive to fix the Post Caps (A) on the top of the Fencing Posts (C).

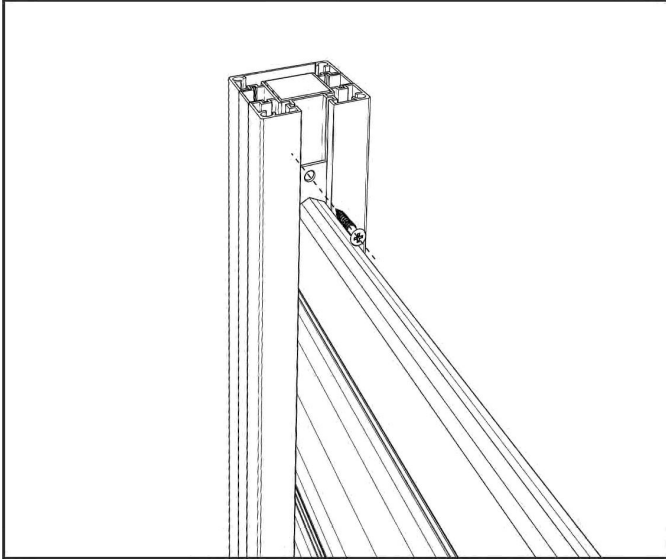


Diagram 20

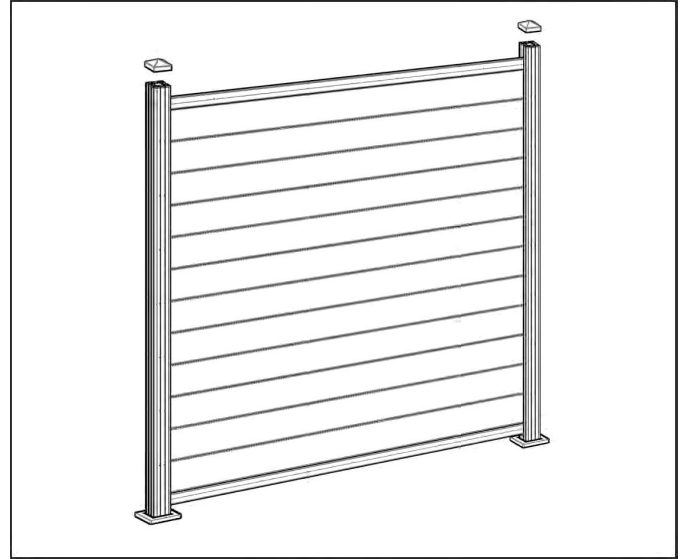


Diagram 21

- 6 Fencing installation is complete and the completed fencing should look like below.

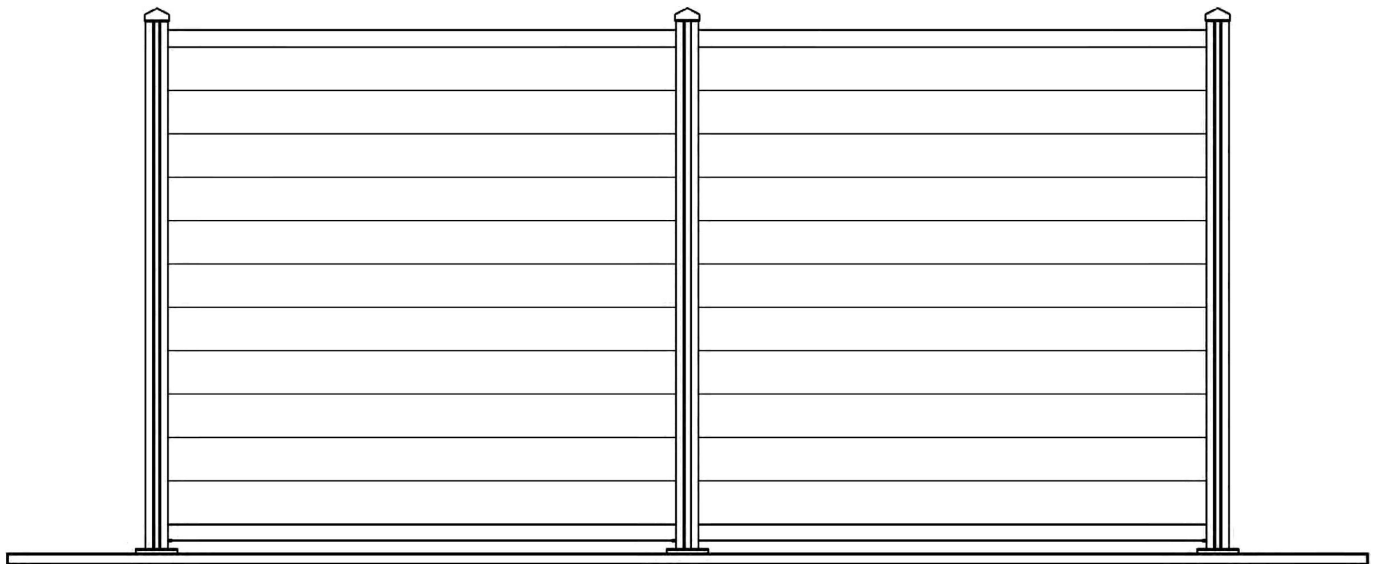


Diagram 22

